

## TASE60-XL-N

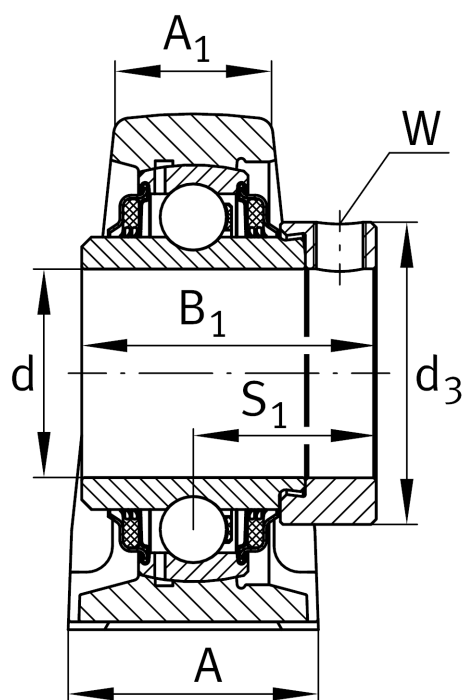
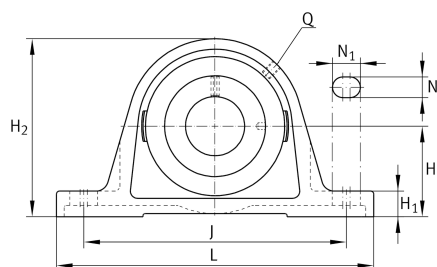
Plummer block housing unit

Schaeffler ID:  
0009792360000

Plummer block housing units TASE, cast iron housing, radial insert ball bearing with eccentric locking collar, T seals

X-life

### Technical information



### Main Dimensions & Performance Data

d	60 mm	Bore diameter
L	240 mm	Length total
H <sub>2</sub>	140 mm	Height
	4,89 kg	Weight

### Dimensions

H	69,9 mm	Distance shaft axis
	ASE12	Housing
	GE60-XL-KTT-B	Bearing designation
A	60 mm	Width (base)
	KASK12	Protecting cap
A <sub>1</sub>	42 mm	Width (head)
H <sub>1</sub>	25 mm	Height (base)
B <sub>1</sub>	77,9 mm	Locking collar total width
S <sub>1</sub>	46,9 mm	Distance of raceway to locking collar
Q	M6	Connection thread lubrication

### Mounting dimensions

J	190 mm	Distance fixing bore
N	18 mm	Width (slot)
N <sub>1</sub>	28 mm	Length (slot)