

TSHE20-XL-N

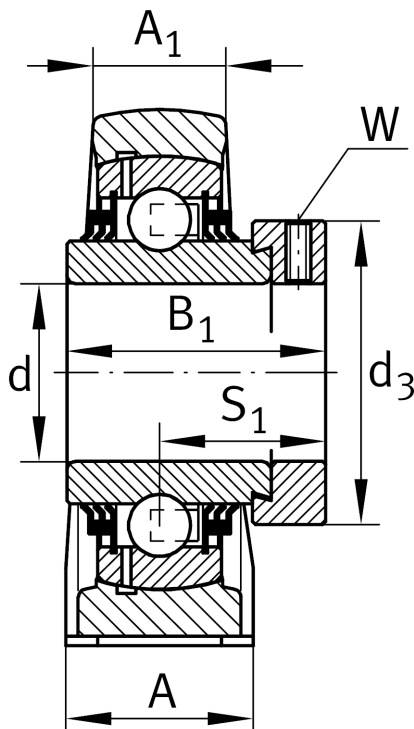
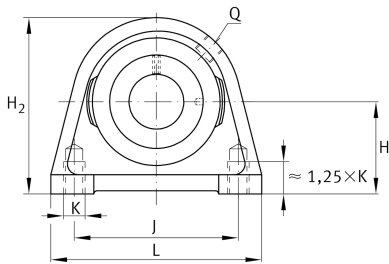
Plummer block housing unit

Schaeffler ID:
0009785900000

Plummer block housing units TSHE, cast iron housing, radial insert ball bearing with eccentric locking collar, T seals

X-life

Technical information



Main Dimensions & Performance Data

d	20 mm	Bore diameter
L	65 mm	Length total
H ₂	64 mm	Height
	0,49 kg	Weight

Dimensions

H	33,3 mm	Distance shaft axis
	SHE04	Housing
	GE20-XL-KTT-B	Bearing designation
A	32 mm	Width (base)
	KASK04	Protecting cap
A ₁	19 mm	Width (head)
Q	Rp1/8	Connection thread lubrication

Mounting dimensions

J	50,8 mm	Distance fixing bore
K	M8	Thread fixing bore