



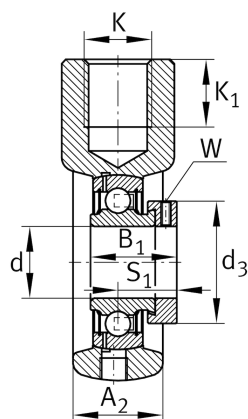
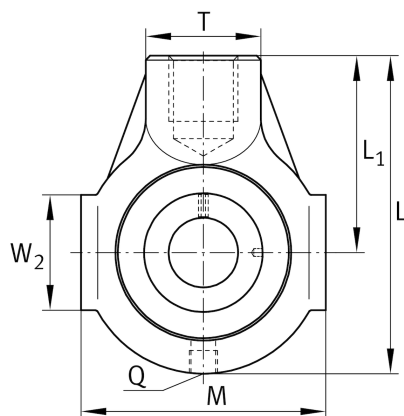
PHE35-TV-FA125.5

Take-up housing unit

Schaeffler ID:
0574651690000

Take-up housing unit PHE..-TV, RIBB
plastic

Technical information



Main Dimensions & Performance Data

d	35 mm	Bore diameter
L	125 mm	Length
M	90 mm	Housing total width
	0,79 kg	Weight

Dimensions

T	40 mm	Height (housing, mounting side)
	HE07-TV	Housing
	GRAE35-NPP-B-	Bearing designation
	FA107/125.5	
A ₂	34,5 mm	Width housing
	KASK07-S-G	End cap
	KASK07-S-R-NBR	Open protecting cap

Mounting dimensions

L ₁	76 mm	Distance shaft axis
L ₃	63 mm	Length guidance grooves
K	M16	Thread fixing bore
Q	1/4-28 UNF	Connection thread lubrication