



RTUEY70-XL

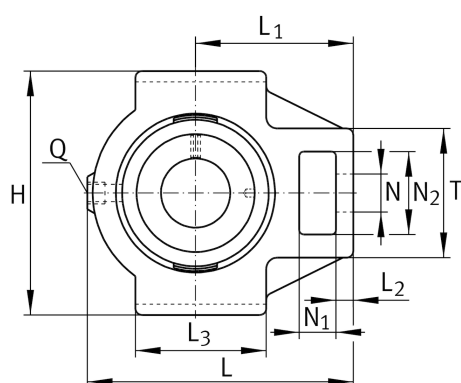
Take-up housing unit

Schaeffler ID:
0009505050000

Take-up housing units RTUEY, cast iron housing, radial insert ball bearing with grub screws in inner ring, R seals

X-life

Technical information



Main Dimensions & Performance Data

d	70 mm	Bore diameter
H	166 mm	Height
L	214 mm	Length total
	6,66 kg	Weight

Dimensions

L ₁	135 mm	Distance shaft axis
	TUE13/14	Housing
	GYE70-XL-KRR-B	Bearing designation
L ₂	20 mm	Length fixed link
L ₃	120 mm	Length guidance groove
A	70 mm	Width housing fixing side
N ₁	35 mm	Width recess
N ₂	70 mm	Height recess
T	110 mm	Height housing fixing side
Q	M6	Connection thread lubrication
A ₂	50 mm	Width housing

Mounting dimensions

A ₁	25 mm	Width guidance groove
	H13	Width guidance groove clearance
H ₁	151 mm	Distance guidance grooves
	0,25 mm	Upper distance guidance groove tolerance
	-0,25 mm	Lower distance guidance groove tolerance
N	41 mm	Fixing bore

