

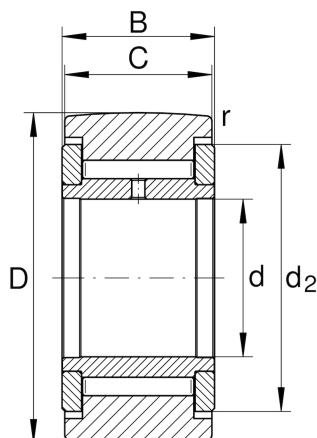
## NATV5

Yoke type track roller

Schaeffler ID:  
0000343710000

Yoke type track rollers NATV, full complement needle roller set, with axial guidance, gap seals on both sides

### Technical information



#### Main Dimensions & Performance Data

|              |             |   |
|--------------|-------------|---|
| d            | 5 mm        | Bore diameter                               |
| D            | 16 mm       | Outside diameter                            |
| B            | 12 mm       | Width, inner ring                           |
| $C_{r w}$    | 4.900 N     | Basic dynamic load rating, radial           |
| $C_{0r w}$   | 6.700 N     | Basic static load rating, radial            |
| $C_{ur w}$   | 970 N       | Fatigue load limit, radial                  |
| $n_{DG}$     | 3.800 1/min | Speed on permanent grease lubrication       |
| $F_{0r per}$ | 6.700 N     | Permissible static load, radial             |
| $F_{r per}$  | 5.600 N     | Permissible dynamic load outer ring, radial |
|              | 15,82 g     | Weight                                      |

#### Dimensions

|           |         |                                      |
|-----------|---------|--------------------------------------|
| C         | 11 mm   | Width, outer ring                    |
| $d_2$     | 12,5 mm | Outside diameter of thrust washer    |
| $r_{min}$ | 0,15 mm | Minimum chamfer dimension            |
| R         | 500 mm  | Radius of outer ring outside profile |