

FAG

53320

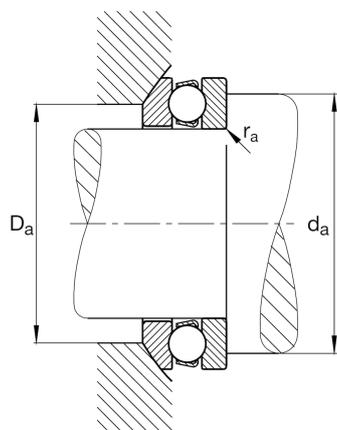
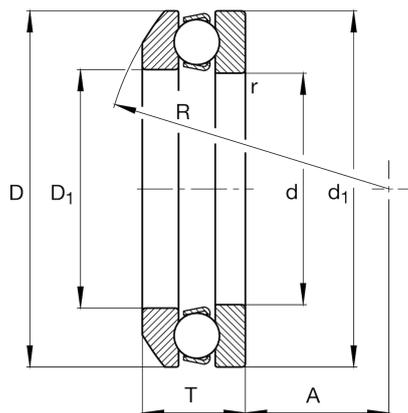
Axial deep groove ball bearing

Schaeffler ID:
0167159500000

Axial deep groove ball bearing 533, single direction, with spherical housing washer, steel sheet metal cage

Technical information

Main Dimensions & Performance Data



d	100 mm	Bore diameter
D	170 mm	Outside diameter
T	59,2 mm	Height
C_a	238.000 N	Basic dynamic load rating, axial
C_{0a}	580.000 N	Basic static load rating, axial
C_{ua}	23.200 N	Fatigue load limit, axial
n_G	1.970 1/min	Limiting speed
n_{gr}	3.650 1/min	Reference speed
	4,868 kg	Weight

Additional information

r_{min}	1,5 mm	Minimum chamfer dimension
	U320	Seat washer
D_1	103 mm	Bore diameter housing washer
d_1	170 mm	Lip diameter shaft washer
R	125 mm	Radius spherical housing washer
A	46 mm	Distance of the center point
T_1	64 mm	Height with seat washer

Mounting dimensions

$d_{a min}$	142 mm	Minimum diameter shaft shoulder
$D_{a max}$	135 mm	Maximum diameter of housing shoulder
$r_{a max}$	1,5 mm	Maximum recess radius

Calculation factors

A	1,9	Minimum load factor
---	-----	---------------------

Temperature range

T_{min}	-30 °C	Operating temperature min.
T_{max}	150 °C	Operating temperature max.