

FAG

**23056-BE-XL-K**

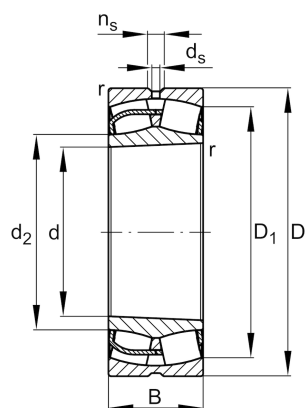
Spherical roller bearing

Schaeffler ID:  
0604672230000

Spherical roller bearings 230..-E1-K, main dimensions to DIN 635-2, with tapered bore, taper 1:12

X-life

## Technical information



## Main Dimensions &amp; Performance Data

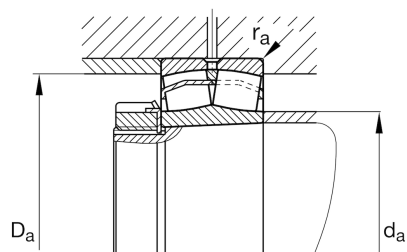
d	280 mm	Bore diameter
D	420 mm	Outside diameter
B	106 mm	Width
$C_r$	1.780.000 N	Basic dynamic load rating, radial
$C_{0r}$	2.850.000 N	Basic static load rating, radial
$C_{ur}$	260.000 N	Fatigue load limit, radial
$n_G$	1.740 1/min	Limiting speed
$n_{gr}$	1.090 1/min	Reference speed
	48,59 kg	Weight

## Additional information

	H3056	Adapter sleeve
$r_{min}$	4 mm	Minimum chamfer dimension
$D_1$	379,2 mm	Bore diameter outer ring
	AH3056	Withdrawal sleeve
$d_2$	314,3 mm	Raceway diameter of the inner ring
$d_s$	9,5 mm	Diameter lubrication hole
$n_s$	17,7 mm	Width of lubricating groove

## Mounting dimensions

$d_{a min}$	294,6 mm	Minimum diameter shaft shoulder
$d_{a max}$	310 mm	Maximum diameter of shaft shoulder
$D_{a max}$	405,4 mm	Maximum diameter of housing shoulder
$r_{a max}$	3 mm	Maximum recess radius
$d_{b min}$	292 mm	Minimum cavity diameter of the sleeve
$B_{a min}$	12 mm	Minimum cavity width of the sleeve



**Calculation factors**

e	0,22	Limiting value of Fa/Fr for the applicability of diff. Values of factors X and Y
Y <sub>1</sub>	3,01	Dynamic axial load factor
Y <sub>2</sub>	4,48	Dynamic axial load factor
Y <sub>0</sub>	2,94	Static axial load factor

**Temperature range**

T <sub>min</sub>	-30 °C	Operating temperature min.
T <sub>max</sub>	200 °C	Operating temperature max.