



FAG

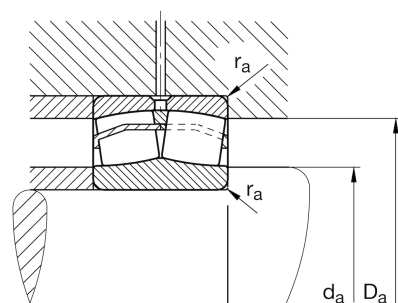
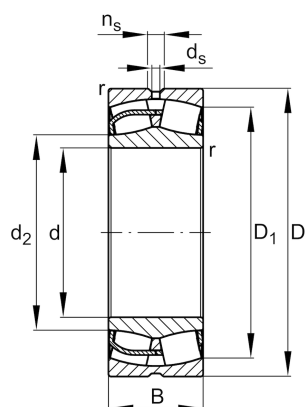
24060-BE-XL

Spherical roller bearing

Schaeffler ID:
0661508170000Spherical roller bearing 240..-BE-XL,
symmetric with rib washer

X-life

Technical information

**Main Dimensions & Performance Data**

d	300 mm	Bore diameter
D	460 mm	Outside diameter
B	160 mm	Width
C_r	2.850.000 N	Basic dynamic load rating, radial
C_{0r}	4.900.000 N	Basic static load rating, radial
C_{ur}	435.000 N	Fatigue load limit, radial
n_G	1.250 1/min	Limiting speed
n_{gr}	720 1/min	Reference speed
	95,705 kg	Weight

Additional information

r_{min}	4 mm	Minimum chamfer dimension
D_1	403 mm	Bore diameter outer ring
d_2	334,8 mm	Raceway diameter of the inner ring
d_s	8 mm	Diameter lubrication hole
n_s	15 mm	Width of lubricating groove

Mounting dimensions

$d_{a min}$	314,6 mm	Minimum diameter shaft shoulder
$D_{a max}$	445,4 mm	Maximum diameter of housing shoulder
$r_{a max}$	3 mm	Maximum recess radius

Calculation factors

e	0,32	Limiting value of F_a/F_r for the applicability of diff. Values of factors X and Y
Y_1	2,12	Dynamic axial load factor
Y_2	3,15	Dynamic axial load factor
Y_0	2,07	Static axial load factor

Temperature range

T _{min}	-30 °C	Operating temperature min.
T _{max}	200 °C	Operating temperature max.