

FAG

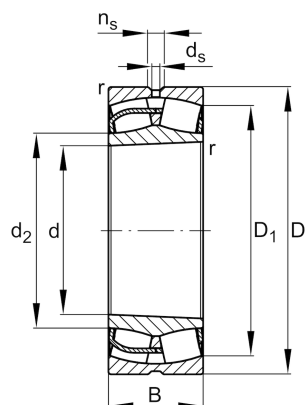
24126-BE-XL-K30

Spherical roller bearing

Schaeffler ID:
0586171830000Spherical roller bearings 241...-BE-K30,
main dimensions to DIN 635-2, with
tapered bore, taper 1:30

X-life

Technical information



Main Dimensions & Performance Data

d	130 mm	Bore diameter
D	210 mm	Outside diameter
B	80 mm	Width
C_r	710.000 N	Basic dynamic load rating, radial
C_{0r}	1.050.000 N	Basic static load rating, radial
C_{ur}	112.000 N	Fatigue load limit, radial
n_G	2.800 1/min	Limiting speed
n_{gr}	1.560 1/min	Reference speed
	10,412 kg	Weight

Additional information

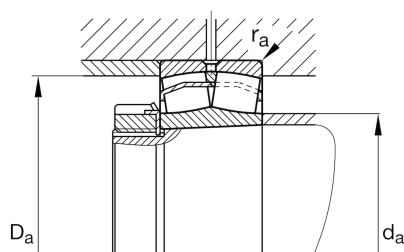
r_{min}	2 mm	Minimum chamfer dimension
D_1	181,2 mm	Bore diameter outer ring
	AH24126	Withdrawal sleeve
d_2	148,3 mm	Raceway diameter of the inner ring
d_s	3,2 mm	Diameter lubrication hole
n_s	6,5 mm	Width of lubricating groove

Mounting dimensions

$d_{a min}$	141 mm	Minimum diameter shaft shoulder
$D_{a max}$	199 mm	Maximum diameter of housing shoulder
$r_{a max}$	2 mm	Maximum recess radius

Calculation factors

e	0,34	Limiting value of F_a/F_r for the applicability of diff. Values of factors X and Y
Y_1	1,98	Dynamic axial load factor
Y_2	2,94	Dynamic axial load factor
Y_0	1,93	Static axial load factor



Temperature range

T _{min}	-30 °C	Operating temperature min.
T _{max}	200 °C	Operating temperature max.