

FAG

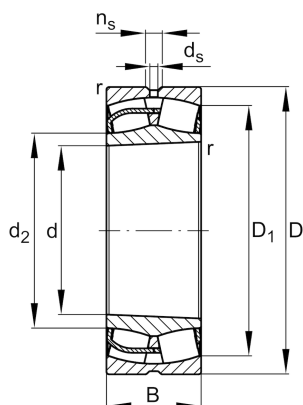
24140-BE-XL-K30

Spherical roller bearing

Schaeffler ID:
0661023240000Spherical roller bearings 241...-BE-K30,
main dimensions to DIN 635-2, with
tapered bore, taper 1:30

X-life

Technical information



Main Dimensions & Performance Data

d	200 mm	Bore diameter
D	340 mm	Outside diameter
B	140 mm	Width
C_r	1.880.000 N	Basic dynamic load rating, radial
C_{0r}	2.800.000 N	Basic static load rating, radial
C_{ur}	260.000 N	Fatigue load limit, radial
n_G	1.780 1/min	Limiting speed
n_{gr}	840 1/min	Reference speed
	49,95 kg	Weight

Additional information

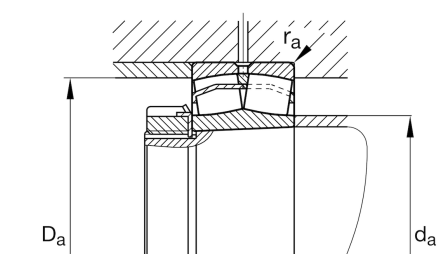
r_{min}	3 mm	Minimum chamfer dimension
D_1	287,9 mm	Bore diameter outer ring
	AH24140	Withdrawal sleeve
d_2	227,1 mm	Raceway diameter of the inner ring
d_s	6,3 mm	Diameter lubrication hole
n_s	12,2 mm	Width of lubricating groove

Mounting dimensions

$d_{a min}$	214 mm	Minimum diameter shaft shoulder
$D_{a max}$	326 mm	Maximum diameter of housing shoulder
$r_{a max}$	2,5 mm	Maximum recess radius

Calculation factors

e	0,39	Limiting value of F_a/F_r for the applicability of diff. Values of factors X and Y
Y_1	1,71	Dynamic axial load factor
Y_2	2,54	Dynamic axial load factor
Y_0	1,67	Static axial load factor



Temperature range

T _{min}	-30 °C	Operating temperature min.
T _{max}	200 °C	Operating temperature max.