

FAG

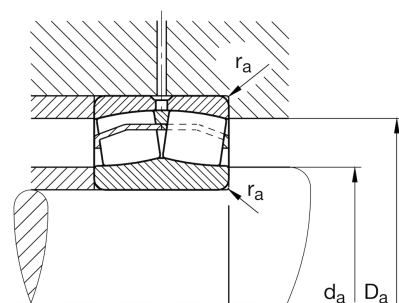
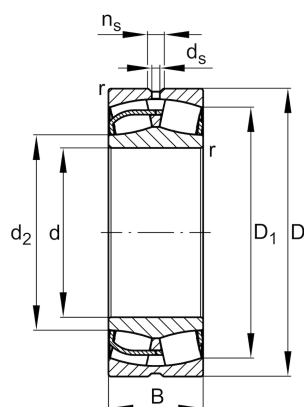
24156-BE-XL

Spherical roller bearing

Schaeffler ID:
0687418630000Spherical roller bearing 241..-BE-XL,
symmetric with rib washer

X-life

Technical information

**Main Dimensions & Performance Data**

d	280 mm	Bore diameter
D	460 mm	Outside diameter
B	180 mm	Width
C_r	3.300.000 N	Basic dynamic load rating, radial
C_{0r}	5.200.000 N	Basic static load rating, radial
C_{ur}	435.000 N	Fatigue load limit, radial
n_G	1.230 1/min	Limiting speed
n_{gr}	520 1/min	Reference speed
	115,68 kg	Weight

Additional information

r_{min}	5 mm	Minimum chamfer dimension
D_1	392,4 mm	Bore diameter outer ring
d_2	312,8 mm	Raceway diameter of the inner ring
d_s	8 mm	Diameter lubrication hole
n_s	15 mm	Width of lubricating groove

Mounting dimensions

$d_{a min}$	300 mm	Minimum diameter shaft shoulder
$D_{a max}$	440 mm	Maximum diameter of housing shoulder
$r_{a max}$	4 mm	Maximum recess radius

Calculation factors

e	0,38	Limiting value of F_a/F_r for the applicability of diff. Values of factors X and Y
Y_1	1,76	Dynamic axial load factor
Y_2	2,62	Dynamic axial load factor
Y_0	1,72	Static axial load factor

Temperature range

T _{min}	-30 °C	Operating temperature min.
T _{max}	200 °C	Operating temperature max.