

FAG

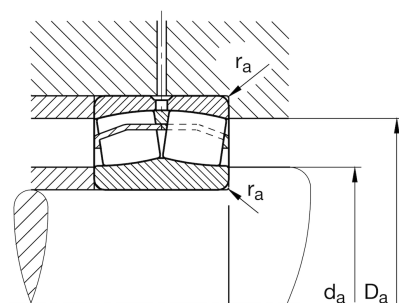
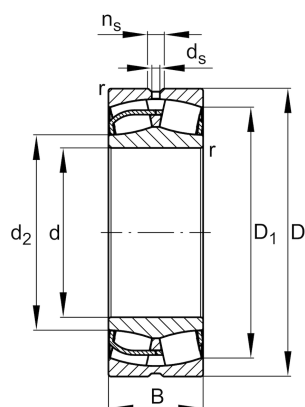
**24160-BE-XL**

Spherical roller bearing

Schaeffler ID:  
0669156600000Spherical roller bearing 241..-BE-XL,  
symmetric with rib washer

X-life

## Technical information

**Main Dimensions & Performance Data**

d	300 mm	Bore diameter
D	500 mm	Outside diameter
B	200 mm	Width
$C_r$	3.950.000 N	Basic dynamic load rating, radial
$C_{0r}$	6.400.000 N	Basic static load rating, radial
$C_{ur}$	500.000 N	Fatigue load limit, radial
$n_G$	1.100 1/min	Limiting speed
$n_{gr}$	450 1/min	Reference speed
	155,72 kg	Weight

**Additional information**

$r_{min}$	5 mm	Minimum chamfer dimension
$D_1$	422,8 mm	Bore diameter outer ring
$d_2$	338,2 mm	Raceway diameter of the inner ring
$d_s$	8 mm	Diameter lubrication hole
$n_s$	15 mm	Width of lubricating groove

**Mounting dimensions**

$d_{a min}$	320 mm	Minimum diameter shaft shoulder
$D_{a max}$	480 mm	Maximum diameter of housing shoulder
$r_{a max}$	4 mm	Maximum recess radius

**Calculation factors**

e	0,39	Limiting value of $F_a/F_r$ for the applicability of diff. Values of factors X and Y
$Y_1$	1,72	Dynamic axial load factor
$Y_2$	2,56	Dynamic axial load factor
$Y_0$	1,68	Static axial load factor

**Temperature range**

T <sub>min</sub>	-30 °C	Operating temperature min.
T <sub>max</sub>	200 °C	Operating temperature max.