

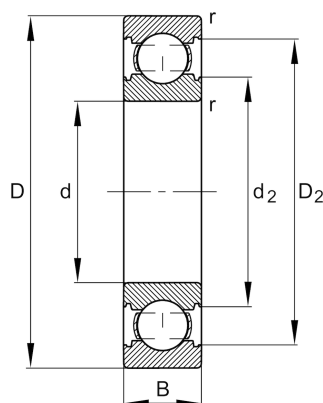
FAG

6000-C

Deep groove ball bearing

Schaeffler ID:
0613450080000Deep groove ball bearing 60..-C, single
row, Generation C, steel sheet metal cage

Technical information

**Main Dimensions & Performance Data**

d	10 mm	Bore diameter
D	26 mm	Outside diameter
B	8 mm	Width
C_r	5.300 N	Basic dynamic load rating, radial
C_{0r}	1.970 N	Basic static load rating, radial
C_{ur}	136 N	Fatigue load limit, radial
n_G	44.500 1/min	Limiting speed
n_{gr}	30.000 1/min	Reference speed
	16,5 g	Weight

Dimensions

r_{min}	0,3 mm	Minimum chamfer dimension
D_2	23,1 mm	Caliber diameter outer ring
d_2	13,7 mm	Caliber diameter inner ring

Mounting dimensions

d_{amin}	12 mm	Minimum diameter shaft shoulder
D_{amax}	24 mm	Maximum diameter of housing shoulder
r_{amax}	0,3 mm	Maximum fillet radius

Calculation factors

f_0	12,4	Calculation factor
-------	------	--------------------

Temperature range

T_{min}	-30 °C	Operating temperature min.
T_{max}	120 °C	Operating temperature max.

