

FAG

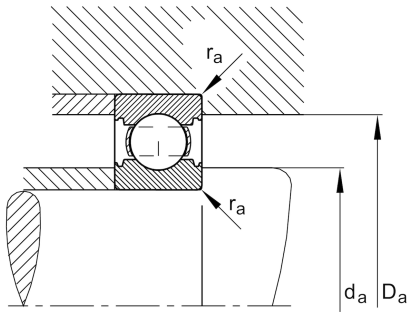
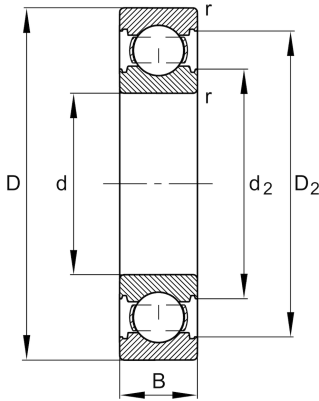
6309-C-M

Deep groove ball bearing

Schaeffler ID:
0899880430000

Deep groove ball bearing 63.-C-M, single row, Generation C, solid brass cage

Technical information

**Main Dimensions & Performance Data**

d	45 mm	Bore diameter
D	100 mm	Outside diameter
B	25 mm	Width
C_r	58.000 N	Basic dynamic load rating, radial
C_{0r}	31.500 N	Basic static load rating, radial
C_{ur}	2.200 N	Fatigue load limit, radial
n_G	13.600 1/min	Limiting speed
n_{gr}	9.100 1/min	Reference speed
	0,971 kg	Weight

Dimensions

r_{min}	1,5 mm	Minimum chamfer dimension
D_2	86,4 mm	Caliber diameter outer ring
d_2	60,3 mm	Caliber diameter inner ring

Mounting dimensions

$d_{a min}$	54 mm	Minimum diameter shaft shoulder
$D_{a max}$	91 mm	Maximum diameter of housing shoulder
$r_{a max}$	1,5 mm	Maximum fillet radius

Calculation factors

f_0	12,9	Calculation factor
-------	------	--------------------

Temperature range

T_{min}	-30 °C	Operating temperature min.
T_{max}	150 °C	Operating temperature max.