



FAG

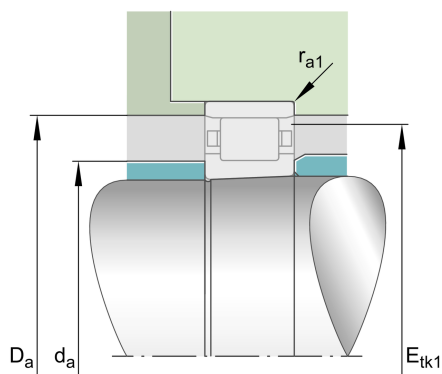
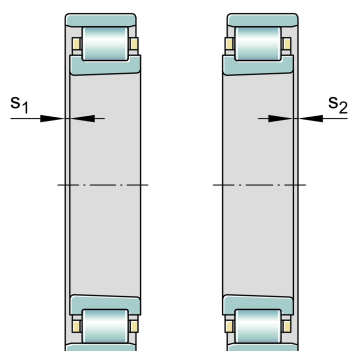
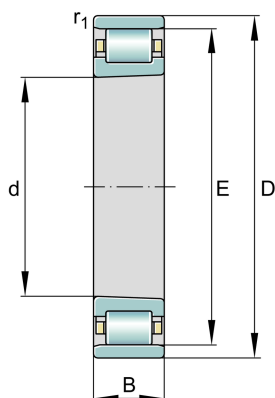
N1010-D-K-TVP-SP-XL

Cylindrical roller bearing

Schaeffler ID:
0867013040000Super precision cylindrical roller bearings
N10..-D-K-TVP-SP, non-locating bearing,
with tapered bore, taper 1:12, separable,
with cage

X-life

Technical information

**Main Dimensions & Performance Data**

| | | |
|------------------------|--------------|---------------------------------------|
| d | 50 mm | Bore diameter |
| D | 80 mm | Outside diameter |
| B | 16 mm | Width |
| C_r | 36.500 N | Basic dynamic load rating, radial |
| C_{0r} | 36.500 N | Basic static load rating, radial |
| C_{ur} | 5.700 N | Fatigue load limit, radial |
| $n_{G \text{ Grease}}$ | 14.200 1/min | Limiting speed for grease lubrication |
| $n_{G \text{ Oil}}$ | 16.800 1/min | Limiting speed for oil lubrication |
| | 0,259 kg | Weight |

Additional information

| | | |
|---------------------|---------|-----------------------------|
| $r_{1 \text{ min}}$ | 0,6 mm | Minimum chamfer dimension |
| s_1 | 3,1 mm | Axial displacement |
| s_2 | 3,1 mm | Axial displacement |
| E | 72,5 mm | Raceway diameter outer ring |

Mounting dimensions

| | | |
|-----------------------|---------|--------------------------------------|
| $d_{a \text{ min}}$ | 58,5 mm | Minimum diameter shaft shoulder |
| $D_{a \text{ max}}$ | 73,6 mm | Maximum diameter of housing shoulder |
| $E_{tk1 \text{ nom}}$ | 71,2 mm | Injection pitch diameter min |
| $r_{a1 \text{ max}}$ | 0,6 mm | Maximum recess radius |

Temperature range

| | | |
|------------------|--------|----------------------------|
| T_{min} | -30 °C | Operating temperature min. |
| T_{max} | 120 °C | Operating temperature max. |