

FAG

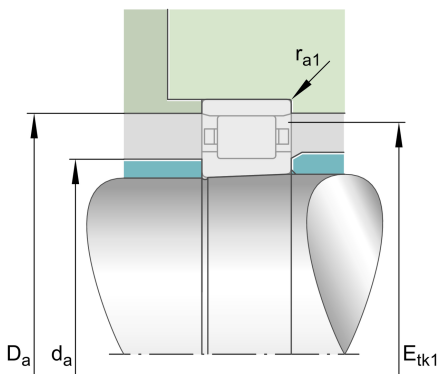
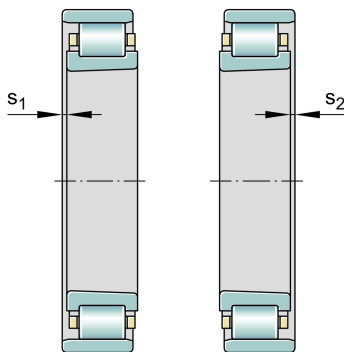
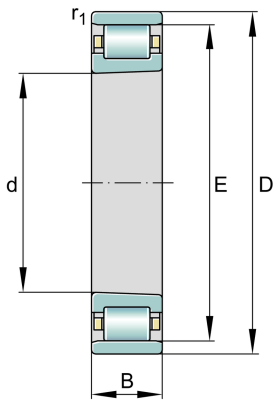
N1021-D-K-TVP-SP-XL

Cylindrical roller bearing

Schaeffler ID:
0876320040000Super precision cylindrical roller bearings
N10..-D-K-TVP-SP, non-locating bearing,
with tapered bore, taper 1:12, separable,
with cage

X-life

Technical information



Main Dimensions & Performance Data

d	105 mm	Bore diameter
D	160 mm	Outside diameter
B	26 mm	Width
C_r	132.000 N	Basic dynamic load rating, radial
C_{0r}	154.000 N	Basic static load rating, radial
C_{ur}	24.500 N	Fatigue load limit, radial
$n_{G \text{ Grease}}$	6.800 1/min	Limiting speed for grease lubrication
$n_{G \text{ Oil}}$	8.000 1/min	Limiting speed for oil lubrication
	1,746 kg	Weight

Additional information

$r_{1 \text{ min}}$	1,1 mm	Minimum chamfer dimension
s_1	4,5 mm	Axial displacement
s_2	4,5 mm	Axial displacement
E	146 mm	Raceway diameter outer ring

Mounting dimensions

$d_{a \text{ min}}$	120 mm	Minimum diameter shaft shoulder
$D_{a \text{ max}}$	147,5 mm	Maximum diameter of housing shoulder
$E_{tk1 \text{ nom}}$	143,5 mm	Injection pitch diameter min
$r_{a1 \text{ max}}$	1 mm	Maximum recess radius

Temperature range

T_{min}	-30 °C	Operating temperature min.
T_{max}	120 °C	Operating temperature max.