

FAG

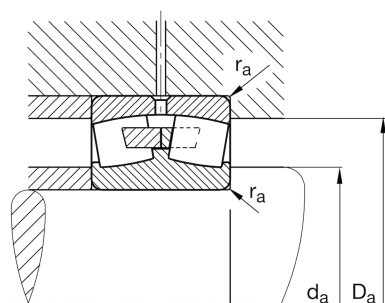
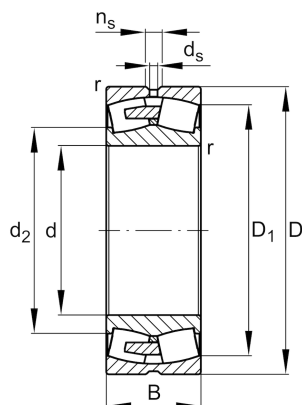
22252-BEA-XL-MB1

Spherical roller bearing

Schaeffler ID:
0834290340000Spherical roller bearing 222..-BEA-XL-
MB1, symmetric 2 outer ribs with rib
washer

X-life

Technical information

**Main Dimensions & Performance Data**

d	260 mm	Bore diameter
D	480 mm	Outside diameter
B	130 mm	Width
C_r	2.600.000 N	Basic dynamic load rating, radial
C_{0r}	3.450.000 N	Basic static load rating, radial
C_{ur}	295.000 N	Fatigue load limit, radial
n_G	1.720 1/min	Limiting speed
n_{gr}	1.070 1/min	Reference speed
	103,125 kg	Weight

Additional information

r_{min}	5 mm	Minimum chamfer dimension
D_1	415,1 mm	Bore diameter outer ring
d_s	12,5 mm	Diameter lubrication hole
n_s	23,5 mm	Width of lubricating groove

Mounting dimensions

$d_{a min}$	280 mm	Minimum diameter shaft shoulder
$D_{a max}$	460 mm	Maximum diameter of housing shoulder
$r_{a max}$	4 mm	Maximum recess radius

Calculation factors

e	0,26	Limiting value of F_a/F_r for the applicability of diff. Values of factors X and Y
Y_1	2,57	Dynamic axial load factor
Y_2	3,83	Dynamic axial load factor
Y_0	2,52	Static axial load factor

Temperature range

T _{min}	-30 °C	Operating temperature min.
T _{max}	200 °C	Operating temperature max.