

FAG

**22252-BEA-XL-K-MB1**

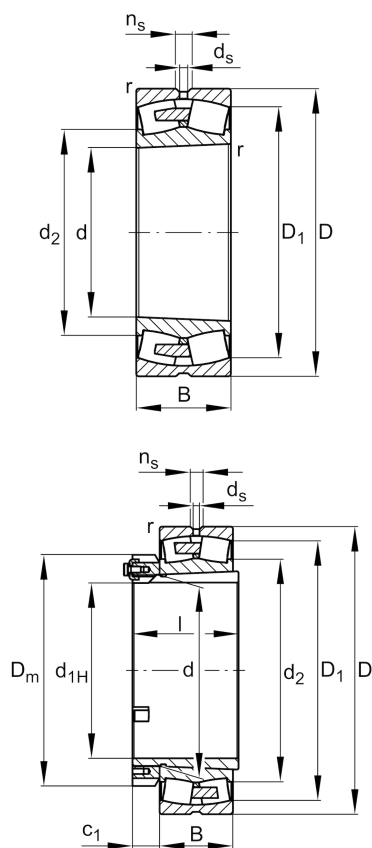
Spherical roller bearing

Schaeffler ID:  
0856505790000

Spherical roller bearing 222..-BEA-XL-K-MB1, symmetric 2 outer ribs with rib washer

X-life

## Technical information

**Main Dimensions & Performance Data**

d	260 mm	Bore diameter
D	480 mm	Outside diameter
B	130 mm	Width
$C_r$	2.600.000 N	Basic dynamic load rating, radial
$C_{0r}$	3.450.000 N	Basic static load rating, radial
$C_{ur}$	295.000 N	Fatigue load limit, radial
$n_G$	1.720 1/min	Limiting speed
$n_{gr}$	1.070 1/min	Reference speed
	101,01 kg	Weight

**Additional information**

$r_{min}$	5 mm	Minimum chamfer dimension
	H3152X	Adapter sleeve
$D_1$	415,1 mm	Bore diameter outer ring
	AH2252G	Withdrawal sleeve
$d_s$	12,5 mm	Diameter lubrication hole
$n_s$	23,5 mm	Width of lubricating groove

**Mounting dimensions**

$d_{a min}$	280 mm	Minimum diameter shaft shoulder
$D_{a max}$	460 mm	Maximum diameter of housing shoulder
$r_{a max}$	4 mm	Maximum recess radius
$d_{a max}$	308 mm	Maximum diameter of shaft shoulder
$d_{b min}$	276 mm	Minimum cavity diameter of the sleeve
$B_{a min}$	25 mm	Minimum cavity width of the sleeve

**Calculation factors**

e	0,26	Limiting value of Fa/Fr for the applicability of diff. Values of factors X and Y
Y <sub>1</sub>	2,57	Dynamic axial load factor
Y <sub>2</sub>	3,83	Dynamic axial load factor
Y <sub>0</sub>	2,52	Static axial load factor

**Temperature range**

T <sub>min</sub>	-30 °C	Operating temperature min.
T <sub>max</sub>	200 °C	Operating temperature max.