

FAG

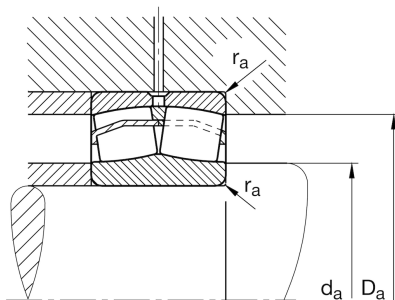
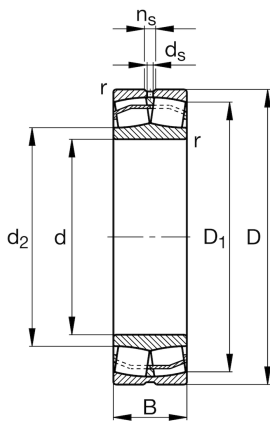
22332-BE-XL-JPA-T41A

Spherical roller bearing

Schaeffler ID:
0659680500000Spherical roller bearings 223...E1-T41A,
For oscillating load with restricted diameter
tolerances

X-life

Technical information



Main Dimensions & Performance Data

d	160 mm	Bore diameter
D	340 mm	Outside diameter
B	114 mm	Width
C_r	1.680.000 N	Basic dynamic load rating, radial
C_{0r}	1.990.000 N	Basic static load rating, radial
C_{ur}	162.000 N	Fatigue load limit, radial
n_G	2.250 1/min	Limiting speed
n_{gr}	1.420 1/min	Reference speed
	49,985 kg	Weight

Additional information

r_{min}	4 mm	Minimum chamfer dimension
D_1	286,7 mm	Bore diameter outer ring
d_2	201,2 mm	Raceway diameter of the inner ring
d_s	9,5 mm	Diameter lubrication hole
n_s	17,7 mm	Width of lubricating groove

Mounting dimensions

$d_{a min}$	177 mm	Minimum diameter shaft shoulder
$D_{a max}$	323 mm	Maximum diameter of housing shoulder
$r_{a max}$	3 mm	Maximum recess radius

Calculation factors

e	0,35	Limiting value of F_a/F_r for the applicability of diff. Values of factors X and Y
Y_1	1,94	Dynamic axial load factor
Y_2	2,88	Dynamic axial load factor
Y_0	1,89	Static axial load factor

Temperature range

T _{min}	-30 °C	Operating temperature min.
T _{max}	200 °C	Operating temperature max.