



FAG

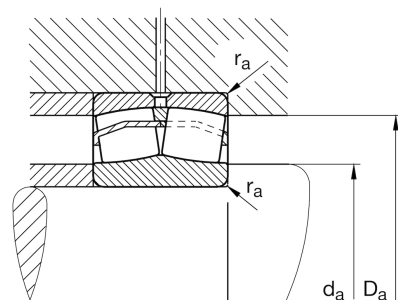
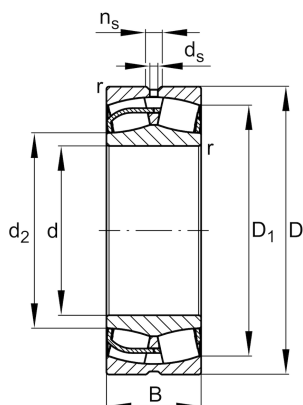
22344-BE-XL

Spherical roller bearing

Schaeffler ID:
0654814700000Spherical roller bearings 223...E1, main
dimensions to DIN 635-2

X-life

Technical information

**Main Dimensions & Performance Data**

d	220 mm	Bore diameter
D	460 mm	Outside diameter
B	145 mm	Width
C_r	2.800.000 N	Basic dynamic load rating, radial
C_{0r}	3.400.000 N	Basic static load rating, radial
C_{ur}	270.000 N	Fatigue load limit, radial
n_G	1.690 1/min	Limiting speed
n_{gr}	950 1/min	Reference speed
	113,75 kg	Weight

Additional information

r_{min}	5 mm	Minimum chamfer dimension
D_1	391,1 mm	Bore diameter outer ring
d_2	273,4 mm	Raceway diameter of the inner ring
d_s	12,5 mm	Diameter lubrication hole
n_s	23,5 mm	Width of lubricating groove

Mounting dimensions

$d_{a min}$	240 mm	Minimum diameter shaft shoulder
$D_{a max}$	440 mm	Maximum diameter of housing shoulder
$r_{a max}$	4 mm	Maximum recess radius

Calculation factors

e	0,33	Limiting value of F_a/F_r for the applicability of diff. Values of factors X and Y
Y_1	2,06	Dynamic axial load factor
Y_2	3,06	Dynamic axial load factor
Y_0	2,01	Static axial load factor

Temperature range

T _{min}	-30 °C	Operating temperature min.
T _{max}	200 °C	Operating temperature max.