



FAG

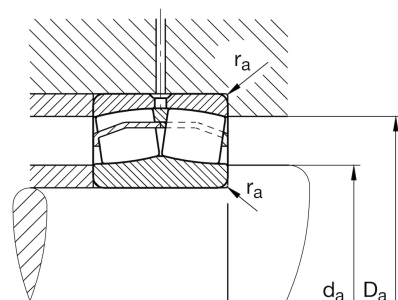
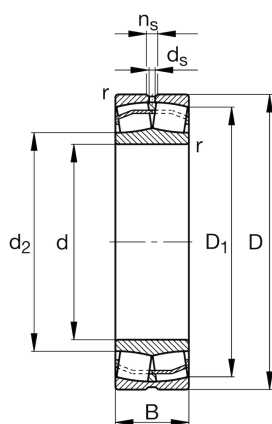
22344-BE-XL-JPA-T41A

Spherical roller bearing

Schaeffler ID:
0654820000000Spherical roller bearings 223...E1-T41A,
For oscillating load with restricted diameter
tolerances

X-life

Technical information



Main Dimensions & Performance Data

| | | |
|----------|-------------|-----------------------------------|
| d | 220 mm | Bore diameter |
| D | 460 mm | Outside diameter |
| B | 145 mm | Width |
| C_r | 2.800.000 N | Basic dynamic load rating, radial |
| C_{0r} | 3.400.000 N | Basic static load rating, radial |
| C_{ur} | 270.000 N | Fatigue load limit, radial |
| n_G | 1.690 1/min | Limiting speed |
| n_{gr} | 950 1/min | Reference speed |
| | 115,46 kg | Weight |

Additional information

| | | |
|-----------|----------|------------------------------------|
| r_{min} | 5 mm | Minimum chamfer dimension |
| D_1 | 391,1 mm | Bore diameter outer ring |
| d_2 | 273,4 mm | Raceway diameter of the inner ring |
| d_s | 12,5 mm | Diameter lubrication hole |
| n_s | 23,5 mm | Width of lubricating groove |

Mounting dimensions

| | | |
|-------------|--------|--------------------------------------|
| $d_{a min}$ | 240 mm | Minimum diameter shaft shoulder |
| $D_{a max}$ | 440 mm | Maximum diameter of housing shoulder |
| $r_{a max}$ | 4 mm | Maximum recess radius |

Calculation factors

| | | |
|-------|------|---|
| e | 0,33 | Limiting value of F_a/F_r for the applicability of diff. Values of factors X and Y |
| Y_1 | 2,06 | Dynamic axial load factor |
| Y_2 | 3,06 | Dynamic axial load factor |
| Y_0 | 2,01 | Static axial load factor |

Temperature range

| | | |
|------------------|--------|----------------------------|
| T _{min} | -30 °C | Operating temperature min. |
| T _{max} | 200 °C | Operating temperature max. |