

FAG

22344-BE-XL-K

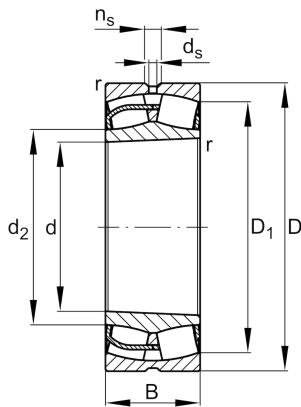
Spherical roller bearing

Schaeffler ID:
0654815000000

Spherical roller bearings 223..-E1-K, main dimensions to DIN 635-2, with tapered bore, taper 1:12

X-life

Technical information



Main Dimensions & Performance Data

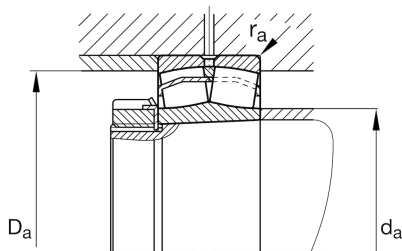
d	220 mm	Bore diameter
D	460 mm	Outside diameter
B	145 mm	Width
C_r	2.800.000 N	Basic dynamic load rating, radial
C_{0r}	3.400.000 N	Basic static load rating, radial
C_{ur}	270.000 N	Fatigue load limit, radial
n_G	1.690 1/min	Limiting speed
n_{gr}	950 1/min	Reference speed
	110,795 kg	Weight

Additional information

	H2344X	Adapter sleeve
r_{min}	5 mm	Minimum chamfer dimension
D_1	391,1 mm	Bore diameter outer ring
	AH2344	Withdrawal sleeve
d_2	273,4 mm	Raceway diameter of the inner ring
d_s	12,5 mm	Diameter lubrication hole
n_s	23,5 mm	Width of lubricating groove

Mounting dimensions

$d_{a min}$	240 mm	Minimum diameter shaft shoulder
$d_{a max}$	272 mm	Maximum diameter of shaft shoulder
$D_{a max}$	440 mm	Maximum diameter of housing shoulder
$r_{a max}$	4 mm	Maximum recess radius
$d_{b min}$	236 mm	Minimum cavity diameter of the sleeve
$B_{a min}$	10 mm	Minimum cavity width of the sleeve



Calculation factors

e	0,33	Limiting value of Fa/Fr for the applicability of diff. Values of factors X and Y
Y ₁	2,06	Dynamic axial load factor
Y ₂	3,06	Dynamic axial load factor
Y ₀	2,01	Static axial load factor

Temperature range

T _{min}	-30 °C	Operating temperature min.
T _{max}	200 °C	Operating temperature max.