

FAG

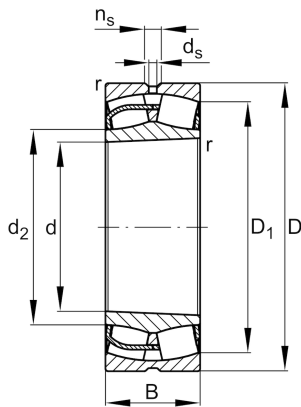
23060-BE-XL-K

Spherical roller bearing

Schaeffler ID:
0655657200000Spherical roller bearings 230..-E1-K, main
dimensions to DIN 635-2, with tapered
bore, taper 1:12

X-life

Technical information



Main Dimensions & Performance Data

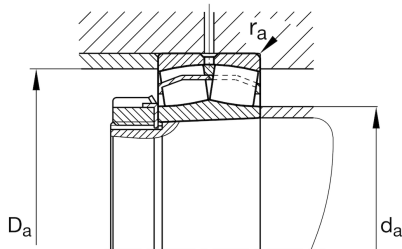
d	300 mm	Bore diameter
D	460 mm	Outside diameter
B	118 mm	Width
C_r	2.160.000 N	Basic dynamic load rating, radial
C_{0r}	3.450.000 N	Basic static load rating, radial
C_{ur}	305.000 N	Fatigue load limit, radial
n_G	1.570 1/min	Limiting speed
n_{gr}	980 1/min	Reference speed
	67,275 kg	Weight

Additional information

	H3060	Adapter sleeve
r_{min}	4 mm	Minimum chamfer dimension
D_1	413 mm	Bore diameter outer ring
	AH3060	Withdrawal sleeve
d_2	340 mm	Raceway diameter of the inner ring
d_s	9,5 mm	Diameter lubrication hole
n_s	17,7 mm	Width of lubricating groove

Mounting dimensions

$d_{a min}$	314,6 mm	Minimum diameter shaft shoulder
$d_{a max}$	337 mm	Maximum diameter of shaft shoulder
$D_{a max}$	445,4 mm	Maximum diameter of housing shoulder
$r_{a max}$	3 mm	Maximum recess radius
$d_{b min}$	313 mm	Minimum cavity diameter of the sleeve
$B_{a min}$	12 mm	Minimum cavity width of the sleeve



Calculation factors

e	0,23	Limiting value of Fa/Fr for the applicability of diff. Values of factors X and Y
Y ₁	2,92	Dynamic axial load factor
Y ₂	4,35	Dynamic axial load factor
Y ₀	2,86	Static axial load factor

Temperature range

T _{min}	-30 °C	Operating temperature min.
T _{max}	200 °C	Operating temperature max.