

FAG

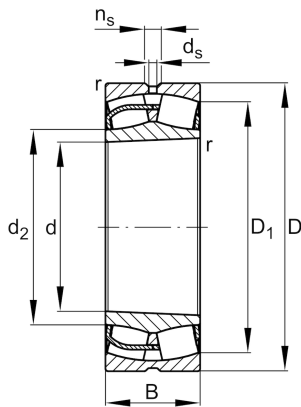
**23248-BE-XL-K**

Spherical roller bearing

Schaeffler ID:  
0662844060000Spherical roller bearings 232..-E1-K, main  
dimensions to DIN 635-2, with tapered  
bore, taper 1:12

X-life

## Technical information



## Main Dimensions &amp; Performance Data

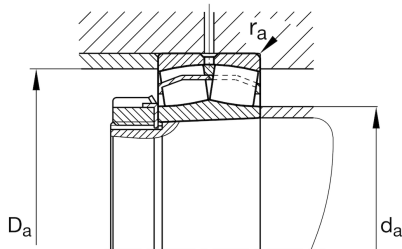
d	240 mm	Bore diameter
D	440 mm	Outside diameter
B	160 mm	Width
$C_r$	2.850.000 N	Basic dynamic load rating, radial
$C_{0r}$	4.000.000 N	Basic static load rating, radial
$C_{ur}$	315.000 N	Fatigue load limit, radial
$n_G$	1.500 1/min	Limiting speed
$n_{gr}$	770 1/min	Reference speed
	101,795 kg	Weight

## Additional information

	H2348X	Adapter sleeve
$r_{min}$	4 mm	Minimum chamfer dimension
$D_1$	370,8 mm	Bore diameter outer ring
	AH2348	Withdrawal sleeve
$d_2$	280,8 mm	Raceway diameter of the inner ring
$d_s$	12,5 mm	Diameter lubrication hole
$n_s$	23,5 mm	Width of lubricating groove

## Mounting dimensions

$d_{a min}$	257 mm	Minimum diameter shaft shoulder
$d_{a max}$	284 mm	Maximum diameter of shaft shoulder
$D_{a max}$	423 mm	Maximum diameter of housing shoulder
$r_{a max}$	3 mm	Maximum recess radius
$d_{b min}$	257 mm	Minimum cavity diameter of the sleeve
$B_{a min}$	6 mm	Minimum cavity width of the sleeve



**Calculation factors**

e	0,36	Limiting value of Fa/Fr for the applicability of diff. Values of factors X and Y
Y <sub>1</sub>	1,87	Dynamic axial load factor
Y <sub>2</sub>	2,79	Dynamic axial load factor
Y <sub>0</sub>	1,83	Static axial load factor

**Temperature range**

T <sub>min</sub>	-30 °C	Operating temperature min.
T <sub>max</sub>	200 °C	Operating temperature max.