

FAG

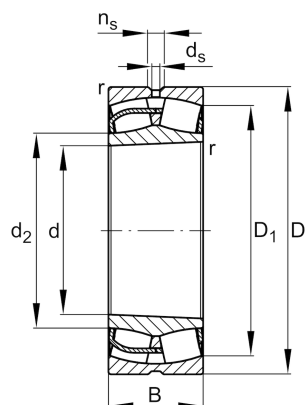
24024-BE-XL-K30

Spherical roller bearing

Schaeffler ID:
0586030770000Spherical roller bearings 240..-BE-K30,
main dimensions to DIN 635-2, with
tapered bore, taper 1:30

X-life

Technical information



Main Dimensions & Performance Data

d	120 mm	Bore diameter
D	180 mm	Outside diameter
B	60 mm	Width
C _r	450.000 N	Basic dynamic load rating, radial
C _{0r}	690.000 N	Basic static load rating, radial
C _{ur}	86.000 N	Fatigue load limit, radial
n _G	3.450 1/min	Limiting speed
n _{gr}	2.360 1/min	Reference speed
	5,171 kg	Weight

Additional information

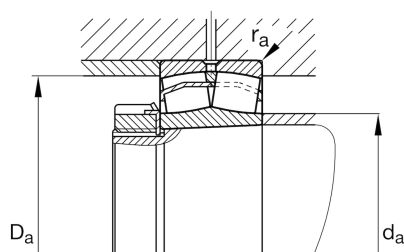
r _{min}	2 mm	Minimum chamfer dimension
D ₁	159,8 mm	Bore diameter outer ring
	AH24024	Withdrawal sleeve
d ₂	134,5 mm	Raceway diameter of the inner ring
d _s	3,2 mm	Diameter lubrication hole
n _s	6,5 mm	Width of lubricating groove

Mounting dimensions

d _{a min}	128,8 mm	Minimum diameter shaft shoulder
D _{a max}	171,2 mm	Maximum diameter of housing shoulder
r _{a max}	2 mm	Maximum recess radius

Calculation factors

e	0,29	Limiting value of Fa/Fr for the applicability of diff. Values of factors X and Y
Y ₁	2,33	Dynamic axial load factor
Y ₂	3,47	Dynamic axial load factor
Y ₀	2,28	Static axial load factor



Temperature range

T _{min}	-30 °C	Operating temperature min.
T _{max}	200 °C	Operating temperature max.