

FAG

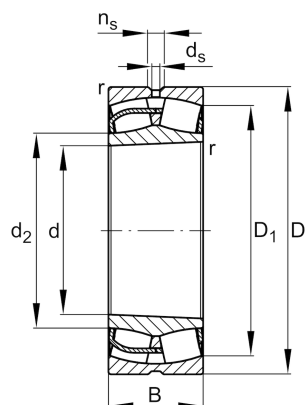
**24038-BE-XL-K30**

Spherical roller bearing

Schaeffler ID:  
0650502070000Spherical roller bearings 240..-BE-K30,  
main dimensions to DIN 635-2, with  
tapered bore, taper 1:30

X-life

## Technical information



## Main Dimensions &amp; Performance Data

d	190 mm	Bore diameter
D	290 mm	Outside diameter
B	100 mm	Width
$C_r$	1.160.000 N	Basic dynamic load rating, radial
$C_{0r}$	1.860.000 N	Basic static load rating, radial
$C_{ur}$	197.000 N	Fatigue load limit, radial
$n_G$	2.140 1/min	Limiting speed
$n_{gr}$	1.330 1/min	Reference speed
	23,058 kg	Weight

## Additional information

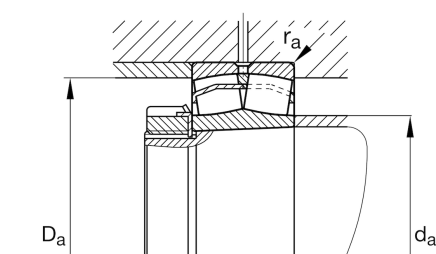
$r_{min}$	2,1 mm	Minimum chamfer dimension
$D_1$	255 mm	Bore diameter outer ring
	AH24038	Withdrawal sleeve
$d_2$	211,9 mm	Raceway diameter of the inner ring
$d_s$	4,8 mm	Diameter lubrication hole
$n_s$	9,5 mm	Width of lubricating groove

## Mounting dimensions

$d_{a min}$	200,2 mm	Minimum diameter shaft shoulder
$D_{a max}$	279,8 mm	Maximum diameter of housing shoulder
$r_{a max}$	2,1 mm	Maximum recess radius

## Calculation factors

e	0,31	Limiting value of $F_a/F_r$ for the applicability of diff. Values of factors X and Y
$Y_1$	2,2	Dynamic axial load factor
$Y_2$	3,27	Dynamic axial load factor
$Y_0$	2,15	Static axial load factor



**Temperature range**

T <sub>min</sub>	-30 °C	Operating temperature min.
T <sub>max</sub>	200 °C	Operating temperature max.