



FAG

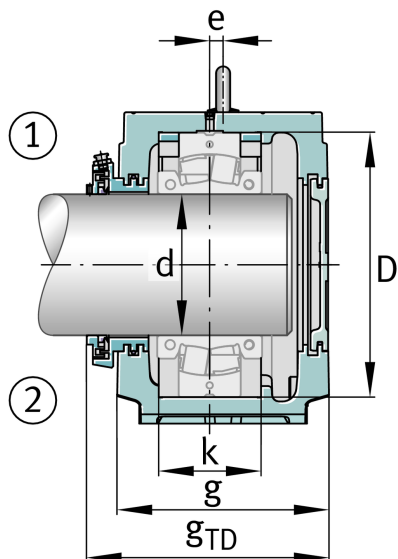
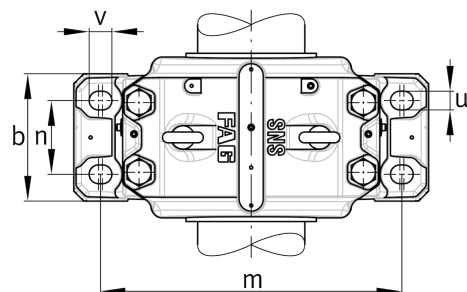
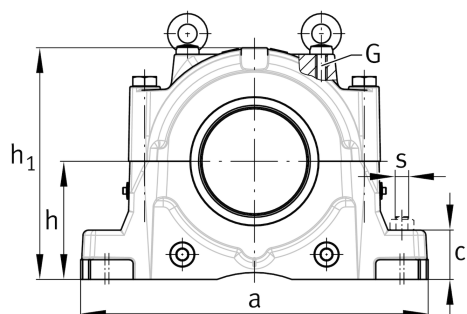
**SNS3044-H-D**

Plummer block housing

Schaeffler ID:  
0806096510000

Plummer block housing, split, for spherical roller bearings, metric and inch size shaft diameters, for grease lubrication

## Technical information

**Main Dimensions & Performance Data**

$h_1$	411 mm	Housing height
$g$	280 mm	Housing width
$a$	610 mm	length base
	128 kg	Weight

**Dimensions**

$c$	85 mm	Base height
$b$	230 mm	Base width
$n_2$	130 mm	Base hole distance 2
$D$	340 mm	Bearing seat
$e$	10 mm	Center offset
$h$	210 mm	Center height
$k$	130 mm	Bearing seat width
$m$	510 mm	Base hole distance 1
$s$	M30	Screw size base hole fixing
$u$	35 mm	Base hole width
$v$	43 mm	Base hole length

