

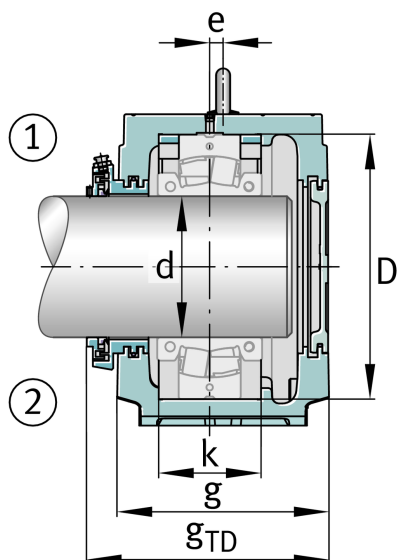
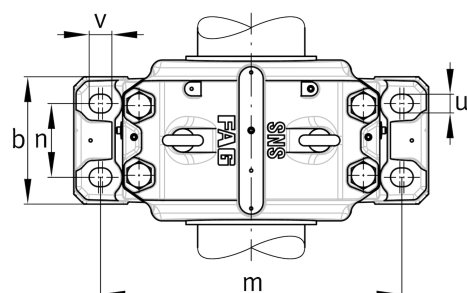
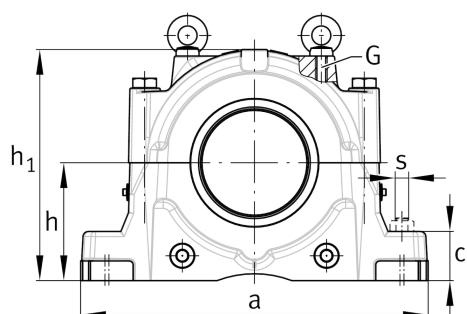
**FAG****SNS3052-H-D**

Plummer block housing

Schaeffler ID:  
0806114350000

Plummer block housing, split, for spherical roller bearings, metric and inch size shaft diameters, for grease lubrication

## Technical information

**Main Dimensions & Performance Data**

|       |          |                |
|-------|----------|----------------|
| $h_1$ | 474 mm   | Housing height |
| $g$   | 310 mm   | Housing width  |
| $a$   | 700 mm   | length base    |
|       | 180,8 kg | Weight         |

**Dimensions**

|       |        |                             |
|-------|--------|-----------------------------|
| $c$   | 95 mm  | Base height                 |
| $b$   | 260 mm | Base width                  |
| $n_2$ | 150 mm | Base hole distance 2        |
| $D$   | 400 mm | Bearing seat                |
| $e$   | 12 mm  | Center offset               |
| $h$   | 240 mm | Center height               |
| $k$   | 148 mm | Bearing seat width          |
| $m$   | 600 mm | Base hole distance 1        |
| $s$   | M30    | Screw size base hole fixing |
| $u$   | 35 mm  | Base hole width             |
| $v$   | 42 mm  | Base hole length            |

