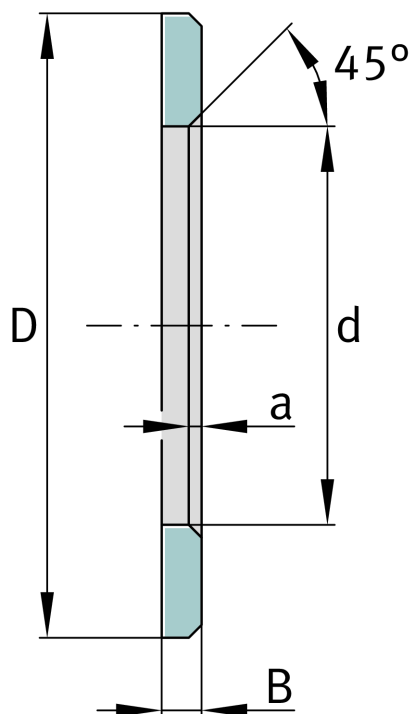
**LS1730**

Bearing washer

Schaeffler ID:  
0000550180000Bearing washers, suitable for AXK and  
K811

## Technical information

**Main Dimensions & Performance Data**

d	17 mm	Bore diameter track washer
D	30 mm	Outside diameter track washer
B	2,75 mm	Width
	45 °	Chamfer Angle
a <sub>min</sub>	0,5 mm	Chamfer width
	9,4 g	Weight

