

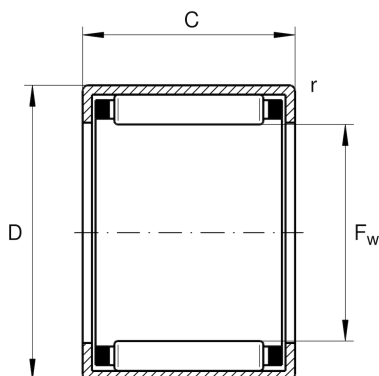
HK6032

Drawn cup needle roller bearing open end

Schaeffler ID:
0002826500000

Drawn cup needle roller bearing open end
HK, single row, with cage

Technical information



Main Dimensions & Performance Data

F_w	60 mm	Under roller diameter
D	68 mm	Outside diameter
C	32 mm	Width
C_r	53.000 N	Basic dynamic load rating, radial
C_{0r}	135.000 N	Basic static load rating, radial
C_{ur}	20.000 N	Fatigue load limit, radial
n_G	4.450 1/min	Limiting speed
$n_{G \text{ Grease}}$	2.650 1/min	Limiting speed for grease lubrication
n_{gr}	3.400 1/min	Reference speed
	0,001 kg	Weight

Dimensions

C_1	32 mm	Width, outer ring
r_{min}	0,8 mm	Minimum chamfer dimension

Temperature range

T_{min}	-30 °C	Operating temperature min.
T_{max}	140 °C	Operating temperature max.