

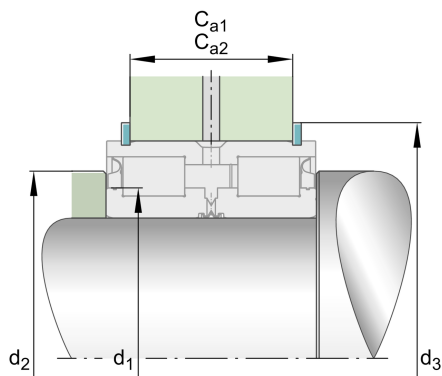
SL045016-D-PP

Cylindrical roller bearing

Schaeffler ID:
0898229510000

Cylindrical roller bearing SL04...-D-PP, full complement roller set, two-row, locating bearing, central rib on outer ring, 3 ribs on inner ring, type SL04

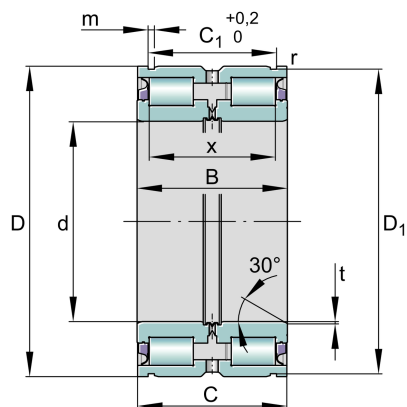
Technical information



Main Dimensions & Performance Data

| | | |
|------------------------|-------------|---------------------------------------|
| d | 80 mm | Bore diameter |
| D | 125 mm | Outside diameter |
| B | 60 mm | Width |
| C_r | 210.000 N | Basic dynamic load rating, radial |
| C_{0r} | 340.000 N | Basic static load rating, radial |
| C_{ur} | 46.000 N | Fatigue load limit, radial |
| $n_{G \text{ Grease}}$ | 1.620 1/min | Limiting speed for grease lubrication |
| | 2,567 kg | Weight |

Dimensions



| | | |
|------------|----------|-----------------------------------|
| C | 59 mm | Width, outer ring |
| C_1 | 54,2 mm | Distance ring grooves |
| D_1 | 122,1 mm | Diameter of groove |
| m | 4,2 mm | Width of groove |
| r_{\min} | 0,6 mm | Minimum chamfer dimension |
| t | 1,5 mm | Chamfer width |
| X | 48 mm | Distance between rolling elements |

Mounting dimensions

| | | |
|-------------|---------|--|
| C_{a1} | 49 mm | Mounting dim for snap ring WRE (not included in delivery) Tolerance: 0/-0,2 |
| C_{a2} | 46 mm | Mounting dim for retaining ring to DIN 471 (not incl. In delivery) Tol: 0/-0,2 |
| d_1 | 97,5 mm | Rib diameter inner ring |
| d_2 | 105 mm | Sealing diameter (rib) |
| d_3 | 137 mm | Outside diameter of snap ring WRE |
| $d_{1\min}$ | 97,5 mm | Minimum diameter shaft shoulder |
| $r_{a\max}$ | 0,6 mm | Maximum recess radius |
| | 30 ° | Chamfer angle |
| | -0,2 mm | Lower distance snap ring tolerance |
| | -0,2 mm | Lower distance retaining ring tolerance |
| | 0 mm | Upper distance snap ring tolerance |
| | 0 mm | Upper distance retaining ring tolerance |
| | 0 mm | Lower distance ring groove tolerance |
| | 0,2 mm | Upper distance ring groove tolerance |

Temperature range

| | | |
|------------|--------|----------------------------|
| T_{\min} | -30 °C | Operating temperature min. |
| T_{\max} | 80 °C | Operating temperature max. |