

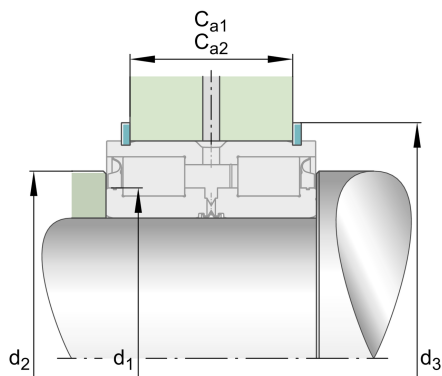
## SL045019-D-PP

Cylindrical roller bearing

Schaeffler ID:  
0897901380000

Cylindrical roller bearing SL04...-D-PP, full complement roller set, two-row, locating bearing, central rib on outer ring, 3 ribs on inner ring, type SL04

### Technical information

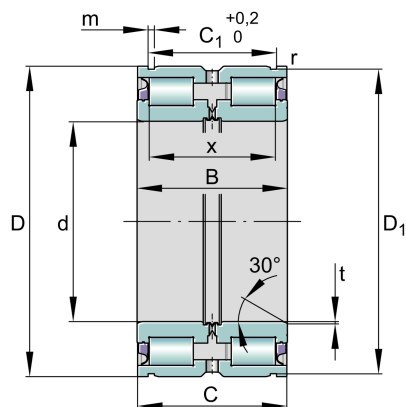


### Main Dimensions & Performance Data

d	95 mm	Bore diameter
D	145 mm	Outside diameter
B	67 mm	Width
$C_r$	315.000 N	Basic dynamic load rating, radial
$C_{0r}$	530.000 N	Basic static load rating, radial
$C_{ur}$	72.000 N	Fatigue load limit, radial
$n_{G \text{ Grease}}$	1.360 1/min	Limiting speed for grease lubrication
	3,72 kg	Weight

### Dimensions

C	66 mm	Width, outer ring
$C_1$	59,2 mm	Distance ring grooves
$D_1$	142 mm	Diameter of groove
m	4,2 mm	Width of groove
$r_{\min}$	0,6 mm	Minimum chamfer dimension
t	1,5 mm	Chamfer width
X	54 mm	Distance between rolling elements



### Mounting dimensions

$C_{a1}$	54 mm	Mounting dim for snap ring WRE (not included in delivery) Tolerance: 0/-0,2
$C_{a2}$	51 mm	Mounting dim for retaining ring to DIN 471 (not incl. In delivery) Tol: 0/-0,2
$d_1$	113,5 mm	Rib diameter inner ring
$d_2$	122 mm	Sealing diameter (rib)
$d_3$	157 mm	Outside diameter of snap ring WRE
$d_{1\min}$	113,5 mm	Minimum diameter shaft shoulder
$r_{a\max}$	0,6 mm	Maximum recess radius
	30 °	Chamfer angle
	-0,2 mm	Lower distance snap ring tolerance
	-0,2 mm	Lower distance retaining ring tolerance
	0 mm	Upper distance snap ring tolerance
	0 mm	Upper distance retaining ring tolerance
	0 mm	Lower distance ring groove tolerance
	0,2 mm	Upper distance ring groove tolerance

### Temperature range

$T_{\min}$	-30 °C	Operating temperature min.
$T_{\max}$	80 °C	Operating temperature max.