



RPB20-XL

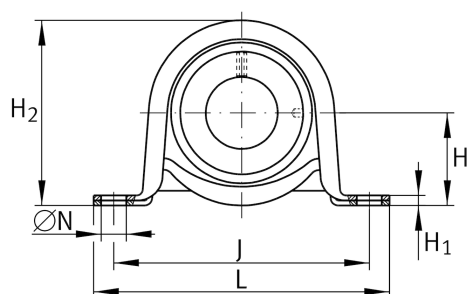
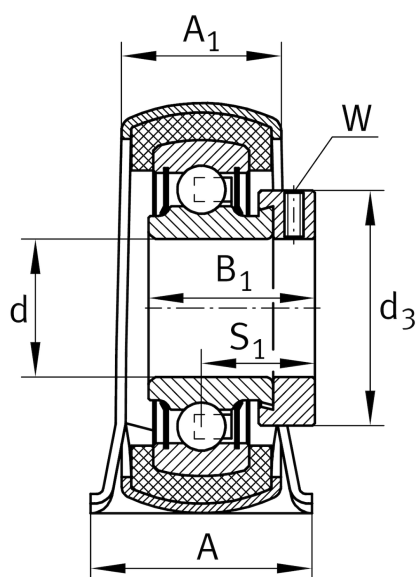
Plummer block housing unit

Schaeffler ID:
0008295520000

Plummer block housing units RPB, sheet steel housing, radial insert ball bearing with eccentric locking collar and rubber interliner, P seals

X-life

Technical information



Main Dimensions & Performance Data

d	20 mm	Bore diameter
L	108 mm	Length total
H ₂	56,5 mm	Height
C _{0rG}	1.100 N	Load carrying capacity (housing)
C _r	13.600 N	Basic dynamic load rating, radial
C _{0r}	6.600 N	Basic static load rating, radial
n _{G Grease}	18.700 1/min	Limiting speed for grease lubrication
	0,37 kg	Weight

Dimensions

H	28,6 mm	Distance shaft axis
	GEH52-BT	Housing
	GRG.RABR47/52-	Rubber interliner designation
	AH01	
A	31,8 mm	Width (base)
	RAE20-XL-NPP-B	Bearing designation
A ₁	23,5 mm	Width (head)
H ₁	4 mm	Height (base)

Mounting dimensions

J	86 mm	Distance fixing bore
N	11.5 mm	Fixing bore

Calculation factors

f ₀	13,1	Calculation factor
----------------	------	--------------------