



RPB25-XL

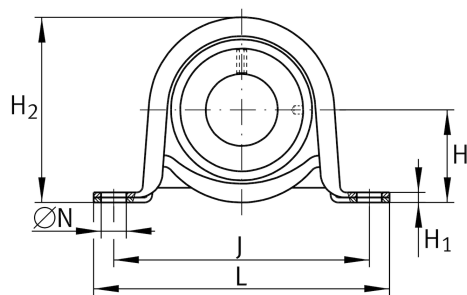
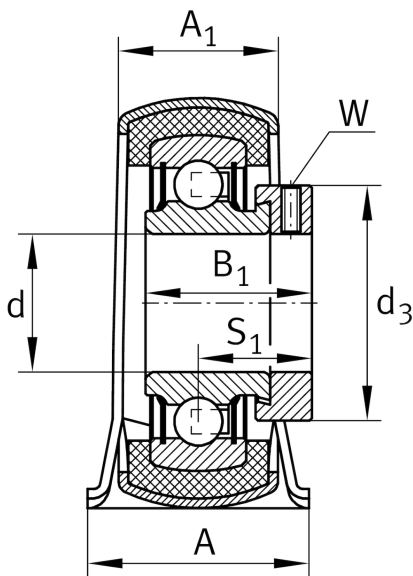
Plummer block housing unit

Schaeffler ID:
0008295600000

Plummer block housing units RPB, sheet steel housing, radial insert ball bearing with eccentric locking collar and rubber interliner, P seals

X-life

Technical information



Main Dimensions & Performance Data

d	25 mm	Bore diameter
L	117,5 mm	Length total
H ₂	66,1 mm	Height
C _{0rG}	1.400 N	Load carrying capacity (housing)
C _r	14.000 N	Basic dynamic load rating, radial
C _{0r}	7.800 N	Basic static load rating, radial
n _{G Grease}	16.700 1/min	Limiting speed for grease lubrication
	0,54 kg	Weight

Dimensions

H	33,3 mm	Distance shaft axis
	GEH62-BT	Housing
	GRG.RABR52/62-	Rubber interliner designation
	AH01	
A	38 mm	Width (base)
	RAE25-XL-NPP-B	Bearing designation
A ₁	26,5 mm	Width (head)
H ₁	4 mm	Height (base)

Mounting dimensions

J	95 mm	Distance fixing bore
N	11.5 mm	Fixing bore

Calculation factors

f ₀	13,8	Calculation factor
----------------	------	--------------------