

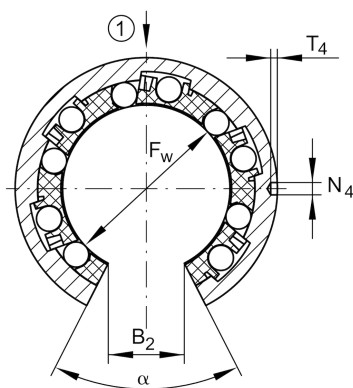
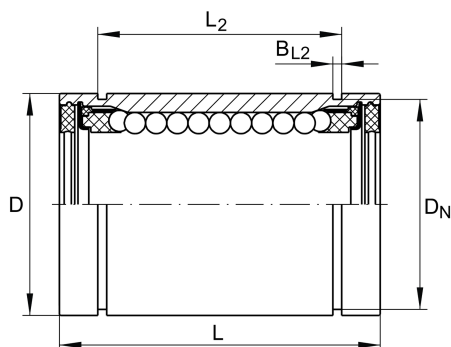
KBO12-PP

Linear ball bearing

Schaeffler ID:
0016968230000

Linear ball bearings KBO..-PP, machined range, open design, sealed on all sides, corrosion-resistant design possible

Technical information



Main Dimensions & Performance Data

F_w	12 mm	Bore diameter of ball complement
D	22 mm	Outside diameter
L	32 mm	length
	h12	Tolerance
C_{max}	600 N	load capacity dyn.
C_{0max}	445 N	load capacity stat.
	28,99 g	Weight

Mounting dimensions

B_2	7,7 mm	Width of sector opening
L_2	22,6 mm	
	H13	Tolerance
B_{L2}	1,3 mm	
D_N	21 mm	
T_4	1,2 mm	
N_4	2,2 mm	
N_2	1,5 mm	
α	78 °	Angle of sector opening
β	64 °	
	4	Number of rows balls