

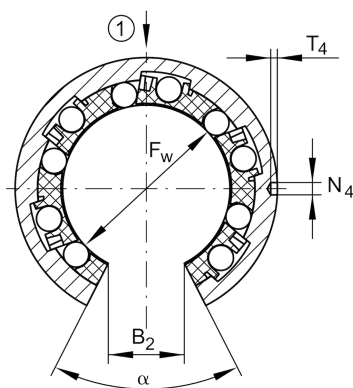
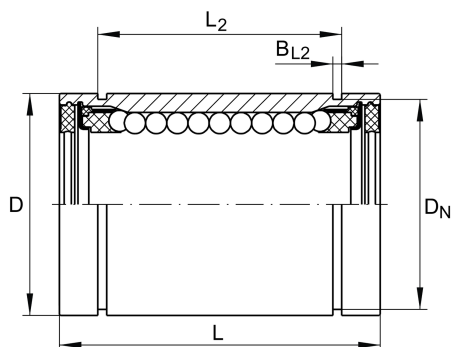
KBO16-PP

Linear ball bearing

Schaeffler ID:
0013928830000

Linear ball bearings KBO..-PP, machined range, open design, sealed on all sides, corrosion-resistant design possible

Technical information



Main Dimensions & Performance Data

F_w	16 mm	Bore diameter of ball complement
D	26 mm	Outside diameter
L	36 mm	length
	h12	Tolerance
C_{max}	800 N	load capacity dyn.
C_{0max}	620 N	load capacity stat.
	37,81 g	Weight

Mounting dimensions

B_2	10,1 mm	Width of sector opening
L_2	24,6 mm	
	H13	Tolerance
B_{L2}	1,3 mm	
D_N	24,9 mm	
T_4	1,2 mm	
N_4	2,2 mm	
N_2	2 mm	
α	78 °	Angle of sector opening
β	64 °	
	4	Number of rows balls