

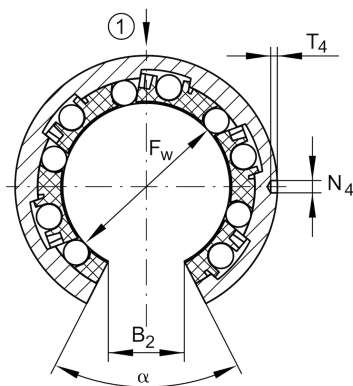
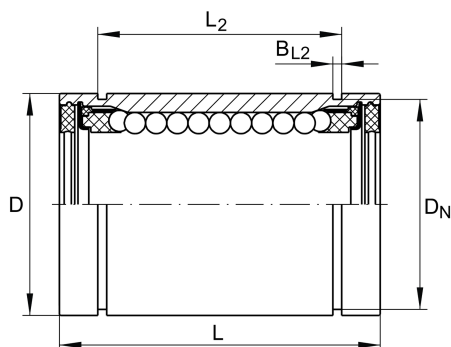
## KBO25

### Linear ball bearing

Schaeffler ID:  
0012536110000

Linear ball bearings KBO..., machined range, open design, corrosion-resistant design possible

## Technical information



### Main Dimensions & Performance Data

$F_w$	25 mm	Bore diameter of ball complement
D	40 mm	Outside diameter
L	58 mm	length
	h12	Tolerance
$C_{max}$	2.850 N	load capacity dyn.
$C_{0max}$	2.300 N	load capacity stat.
	0,156 kg	Weight

### Mounting dimensions

$B_2$	12,5 mm	Width of sector opening
$L_2$	43,7 mm	
	H13	Tolerance
$B_{L2}$	1,85 mm	
$D_N$	37,5 mm	
$T_4$	1,5 mm	
$N_4$	3 mm	
$N_2$	2,5 mm	
$\alpha$	60 °	Angle of sector opening
$\beta$	53 °	
	5	Number of rows balls