

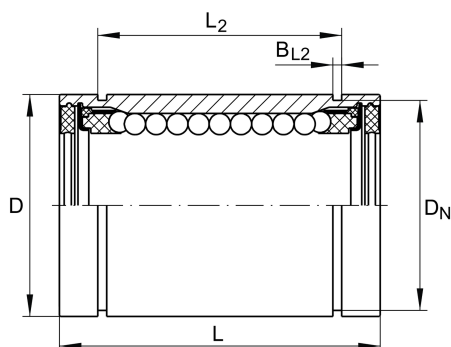
KBS16-PP

Linear ball bearing

Schaeffler ID:
0013929560000

Linear ball bearings KBS...-PP, machined range, adjustable, sealed on all sides, corrosion-resistant design possible

Technical information



Main Dimensions & Performance Data

F_w	16 mm	Bore diameter of ball complement
D	26 mm	Outside diameter
L	36 mm	length
	h12	Tolerance
C_{min}	710 N	load capacity dyn.
$C_{0 min}$	530 N	load capacity stat.
C_{max}	840 N	load capacity dyn.
$C_{0 max}$	780 N	load capacity stat.
	46,55 g	Weight

Mounting dimensions

L_2	24,6 mm	
	H13	Tolerance
B_{L2}	1,3 mm	
B_3	1 mm	
D_N	24,9 mm	
N_2	2 mm	
X	54 °	
	5	Number of rows balls