

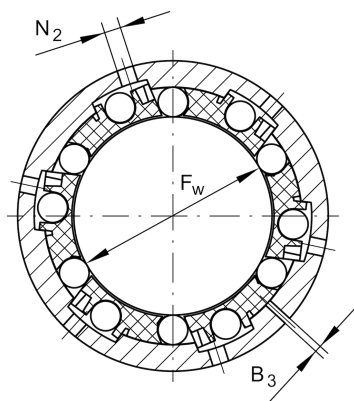
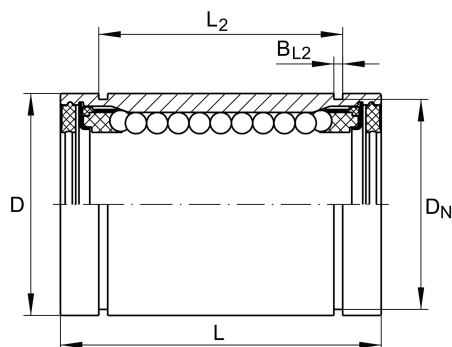
## KBS16-PP-AS

### Linear ball bearing

Schaeffler ID:  
0015213300000

Linear ball bearings KBS...PP-AS, machined range, adjustable, sealed on all sides, with relubrication facility, corrosion-resistant design possible

## Technical information



### Main Dimensions & Performance Data

$F_w$	16 mm	Bore diameter of ball complement
$D$	26 mm	Outside diameter
$L$	36 mm	length
	h12	Tolerance
$C_{min}$	710 N	load capacity dyn.
$C_{0min}$	530 N	load capacity stat.
$C_{max}$	840 N	load capacity dyn.
$C_{0max}$	780 N	load capacity stat.
	42,25 g	Weight

### Mounting dimensions

$L_2$	24,6 mm	
	H13	Tolerance
$B_{L2}$	1,3 mm	
$B_3$	1 mm	
$D_N$	24,9 mm	
$N_2$	2 mm	
$\chi$	54 °	
	5	Number of rows balls