

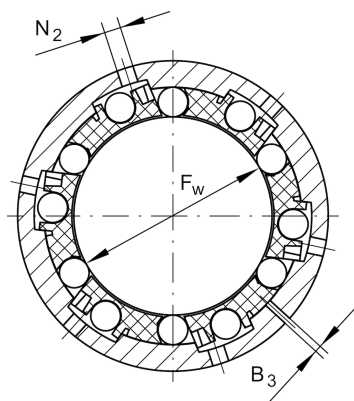
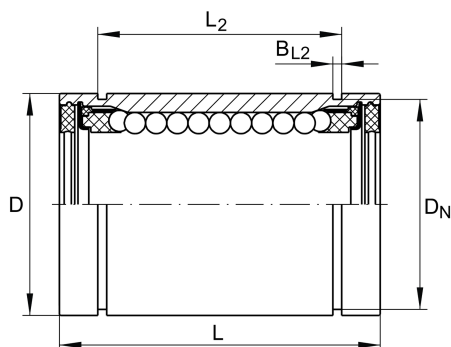
## KBS25-PP-AS

Linear ball bearing

Schaeffler ID:  
0015240030000

Linear ball bearings KBS...-PP-AS, machined range, adjustable, sealed on all sides, with relubrication facility, corrosion-resistant design possible

### Technical information



### Main Dimensions & Performance Data

$F_w$	25 mm	Bore diameter of ball complement
$D$	40 mm	Outside diameter
$L$	58 mm	length
	h12	Tolerance
$C_{min}$	2.800 N	load capacity dyn.
$C_{0 min}$	2.220 N	load capacity stat.
$C_{max}$	2.950 N	load capacity dyn.
$C_{0 max}$	2.850 N	load capacity stat.
	0,186 kg	Weight

### Mounting dimensions

$L_2$	43,7 mm	
	H13	Tolerance
$B_{L2}$	1,85 mm	
$B_3$	1 mm	
$D_N$	37,5 mm	
$N_2$	2,5 mm	
$\chi$	62 °	
	6	Number of rows balls