

Linear ball bearing and housing units

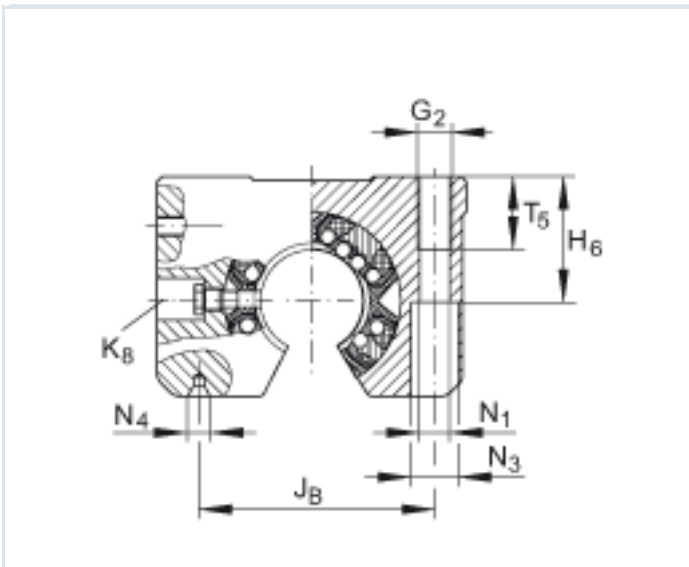
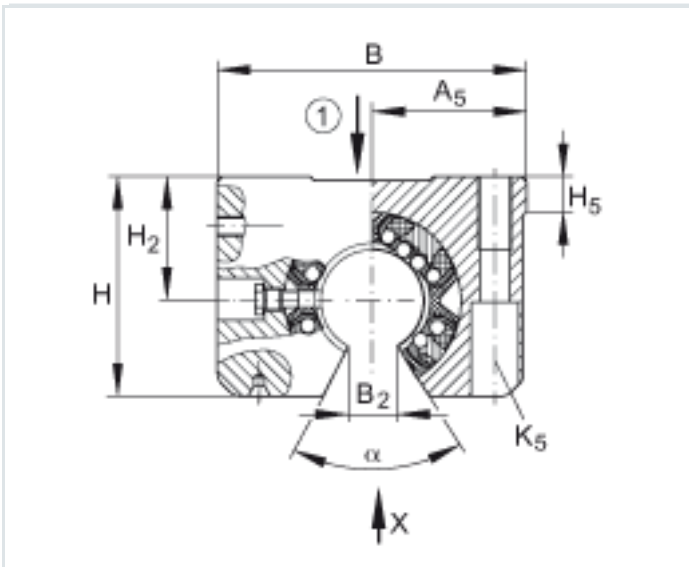
KGSNO20-PP-AS (Series KGSNO..-PP-AS)

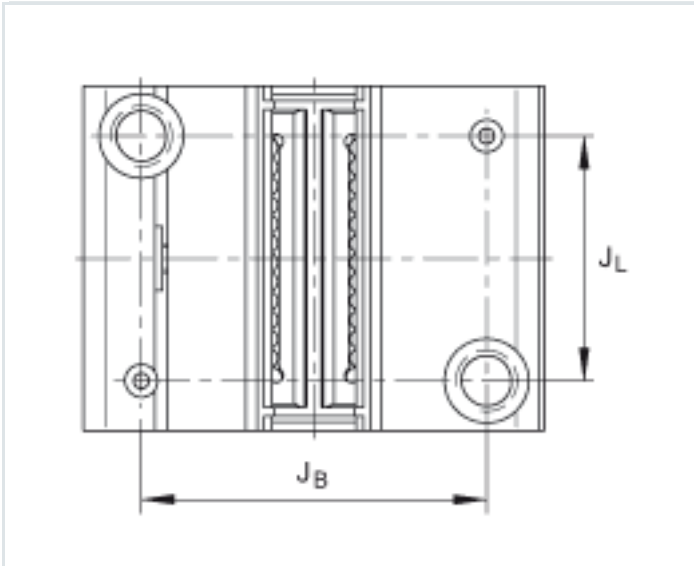
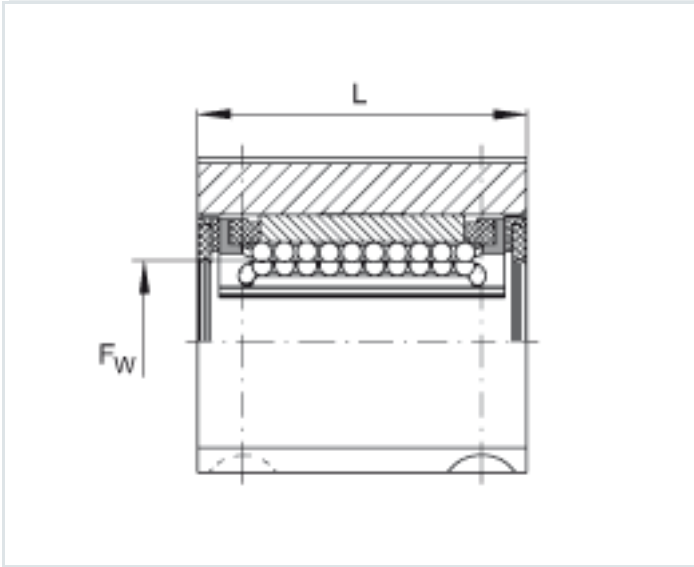
with self-aligning linear ball bearing, open design, sealed, greased, with relubrication facility

The datasheet is only an overview of dimensions and basic load ratings of the selected product. Please always observe all the guidelines in these overview pages. Further information is given on many products under the menu item "Description". You can also order comprehensive information via the Catalogue ordering system (https://www.schaeffler.de/content.schaeffler.de/en/news_media/index.jsp) or by telephone on +49 (91 32) 82 - 28 97.

Fw	20 mm	
B	60 mm	
L	45 mm	
H	42 mm	
	6	Number of rows of balls
1)		Main load direction
A5	30 mm	Tolerance: +0,01/-0,01
B2	10 mm	Dimension B2 on diameter Fw
G2	M8	
H2	25 mm	Tolerance: +0,008/-0,016
H5	8 mm	

H6	24 mm	
JB	45 mm	Tolerance: +0,15/-0,15
JL	32 mm	Tolerance: +0,15/-0,15 Dimension JL symmetrical to bearing length L.
K5	M6	for fixing screws to ISO 4762-8.8 If there is a possibility of settling, the screws should be secured against rotation.
K8	NIP4MZ	Lubrication nipple Lubrication hole symmetrical to bearing length L.
N1	6,6 mm	
N3	11 mm	
N4	2 x 4,25 mm	Centring hole to DIN 332 type A
T5	18 mm	
α	55 °	
m	200 g	Mass
		Basic load ratings in main load direction The basic load ratings are only valid for hardened (670 HV +165 HV) and ground shaft raceways.
C _{max}	2200 N	Basic dynamic load rating
C _{0 max}	2310 N	Basic static load rating





View X