

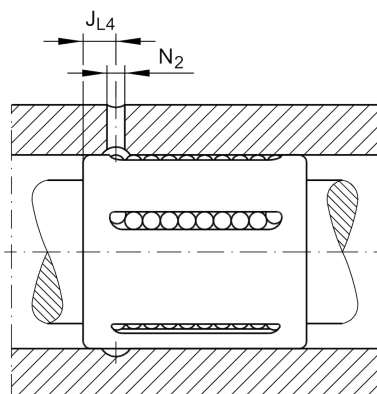
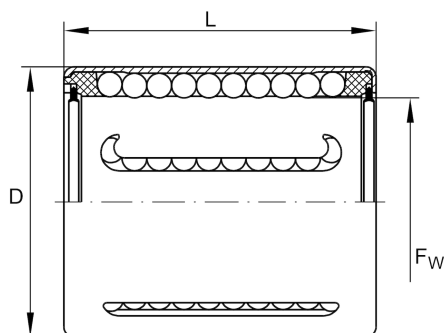
KH20-PP

Linear ball bearing

Schaeffler ID:
0000482240000

Linear ball bearings with initial greasing,
sealed on both sides, with relubrication
facility

Technical information



Main Dimensions & Performance Data

| | | |
|------------|---------|---------------------|
| F_w | 20 mm | Diameter shaft |
| D | 28 mm | Outer diameter |
| L | 30 mm | Länge |
| C_{min} | 1.110 N | load capacity dyn. |
| C_{0min} | 790 N | load capacity stat. |
| C_{max} | 1.170 N | load capacity dyn. |
| C_{0max} | 1.010 N | load capacity stat. |
| | 32,65 g | Weight |

Additional information

| | | |
|----------|----|---------------|
| VMKB_065 | KH | Material name |
|----------|----|---------------|

Mounting dimensions

| | |
|----------|--------|
| J_{L4} | 7 mm |
| N_2 | 2,5 mm |