

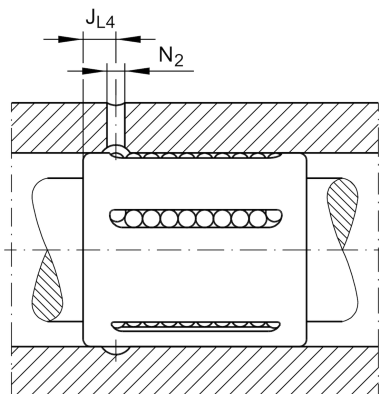
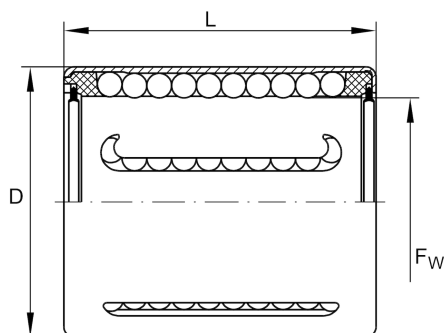
KH30-PP

Linear ball bearing

Schaeffler ID:
0001817900000

Linear ball bearings with initial greasing,
sealed on both sides, with relubrication
facility

Technical information



Main Dimensions & Performance Data

F_w	30 mm	Diameter shaft
D	40 mm	Outer diameter
L	50 mm	Länge
C_{min}	3.300 N	load capacity dyn.
C_{0min}	2.700 N	load capacity stat.
C_{max}	3.300 N	load capacity dyn.
C_{0max}	3.100 N	load capacity stat.
	94,7 g	Weight

Additional information

VMKB_065	KH	Material name
----------	----	---------------

Mounting dimensions

J_{L4}	8 mm
N_2	2,5 mm