

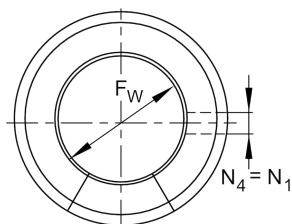
KS20

Linear ball bearing

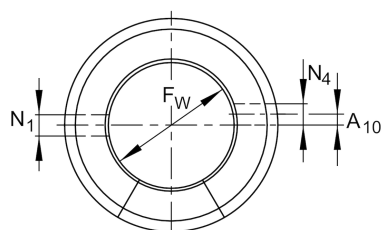
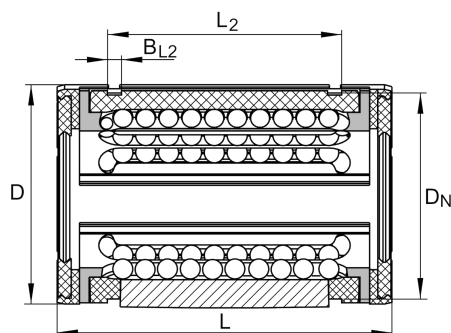
Schaeffler ID:
0055543490000

Linear ball bearings KS., heavy load
range, gap seals on both sides

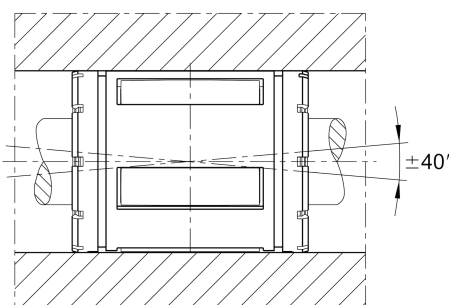
Technical information



KS16, 20
KSO16, 20



KS30, 40, 50
KSO30, 40, 50



Main Dimensions & Performance Data

F_w	20 mm	Bore diameter of ball complement
D	32 mm	Outside diameter
L	45 mm	length
C_{min}	1.780 N	load capacity dyn.
C_{0min}	1.600 N	load capacity stat.
C_{max}	2.200 N	load capacity dyn.
C_{0max}	2.310 N	load capacity stat.
	0,05 kg	Weight

Mounting dimensions

L_2	31,2 mm	
	H13	Tolerance
B_{L2}	1,6 mm	
D_N	30,7 mm	
N_1	3 mm	
N_4	3 mm	
8		Number of rows balls