

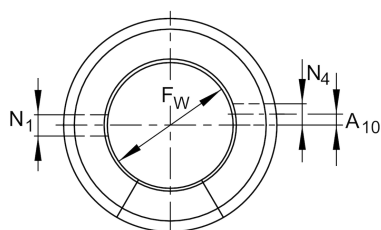
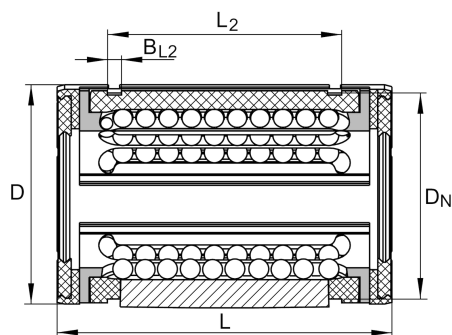
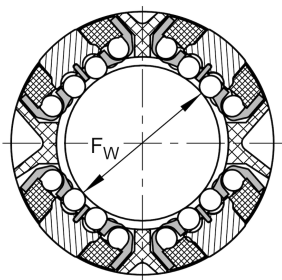
KS40-PP

Linear ball bearing

Schaeffler ID:
0067537790000

Linear ball bearings KS.-PP, heavy load range, lip seals on both sides

Technical information



KS30, 40, 50
KSO30, 40, 50

Main Dimensions & Performance Data

F_w	40 mm	Bore diameter of ball complement
D	62 mm	Outside diameter
L	80 mm	length
C_{min}	8.800 N	load capacity dyn.
C_{0min}	7.200 N	load capacity stat.
C_{max}	10.200 N	load capacity dyn.
C_{0max}	9.600 N	load capacity stat.
	0,345 kg	Weight

Mounting dimensions

L_2	60,3 mm	
	H13	Tolerance
B_{L2}	2,15 mm	
D_N	59,4 mm	
A_{10}	1,5 mm	Angle of sector opening
N_1	3,5 mm	
N_4	3 mm	
	8	Number of rows balls

