

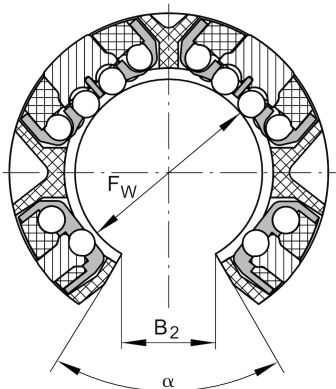
## KSO40-PP

Linear ball bearing

Schaeffler ID:  
0067537950000

Linear ball bearings KSO...-PP, heavy load range, lip seals on both sides

### Technical information

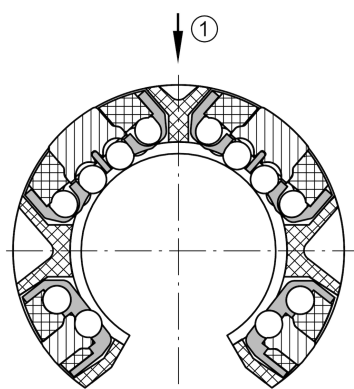
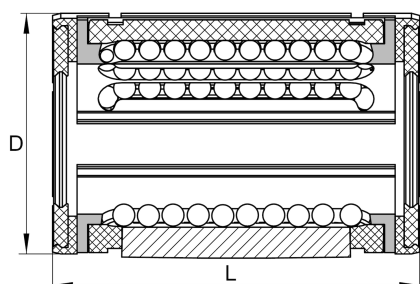


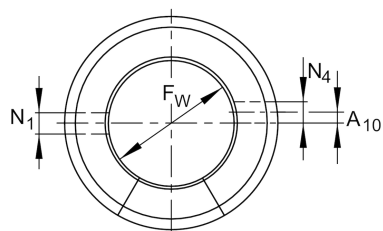
#### Main Dimensions & Performance Data

$F_w$	40 mm	Bore diameter of ball complement
$D$	62 mm	Outside diameter
$L$	80 mm	length
$C_{max}$	10.200 N	load capacity dyn.
$C_{0max}$	9.600 N	load capacity stat.
	0,27 kg	Weight

#### Mounting dimensions

$B_2$	18,2 mm	Width of sector opening
$A_{10}$	1,5 mm	Angle of sector opening
$N_1$	3,5 mm	
$N_4$	3 mm	
$\alpha$	54 °	Angle of sector opening
	6	Number of rows balls





KS30, 40, 50  
KSO30, 40, 50

