

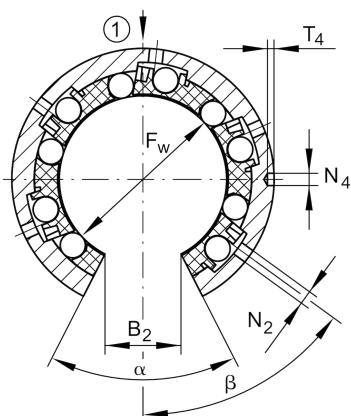
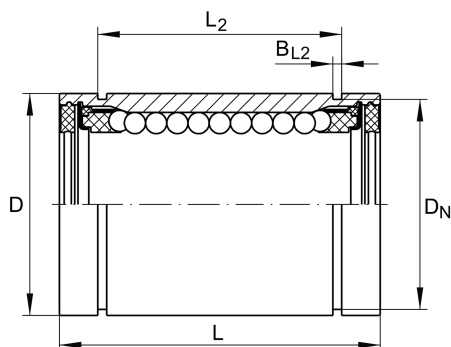
KBO16-PP-AS

Linear ball bearing

Schaeffler ID:
0015212840000

Linear ball bearings KBO..-PP-AS, machined range, open design, sealed on all sides, with relubrication facility, corrosion-resistant design possible

Technical information



Main Dimensions & Performance Data

| | | |
|------------|---------|----------------------------------|
| F_w | 16 mm | Bore diameter of ball complement |
| D | 26 mm | Outside diameter |
| L | 36 mm | length |
| | h12 | Tolerance |
| C_{max} | 800 N | load capacity dyn. |
| C_{0max} | 620 N | load capacity stat. |
| | 37,36 g | Weight |

Mounting dimensions

| | | |
|----------|---------|-------------------------|
| B_2 | 10,1 mm | Width of sector opening |
| L_2 | 24,6 mm | |
| | H13 | Tolerance |
| B_{L2} | 1,3 mm | |
| D_N | 24,9 mm | |
| T_4 | 1,2 mm | |
| N_4 | 2,2 mm | |
| N_2 | 2 mm | |
| α | 78 ° | Angle of sector opening |
| β | 64 ° | |
| | 4 | Number of rows balls |