

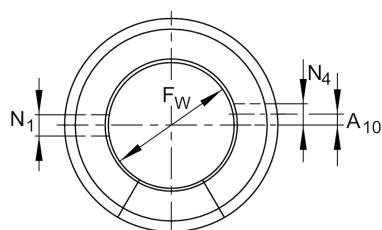
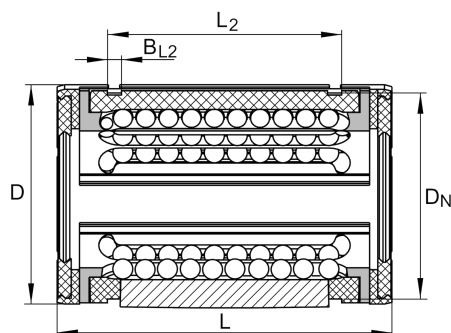
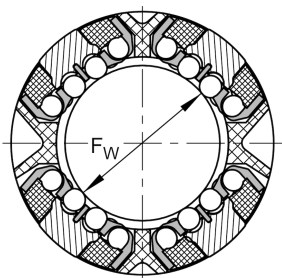
KS40

Linear ball bearing

Schaeffler ID:
0067537600000

Linear ball bearings KS., heavy load range, gap seals on both sides

Technical information



KS30, 40, 50
KSO30, 40, 50

Main Dimensions & Performance Data

| | | |
|------------|----------|----------------------------------|
| F_w | 40 mm | Bore diameter of ball complement |
| D | 62 mm | Outside diameter |
| L | 80 mm | length |
| C_{min} | 8.800 N | load capacity dyn. |
| C_{0min} | 7.200 N | load capacity stat. |
| C_{max} | 10.200 N | load capacity dyn. |
| C_{0max} | 9.600 N | load capacity stat. |
| | 0,34 kg | Weight |

Mounting dimensions

| | | |
|----------|---------|-------------------------|
| L_2 | 60,3 mm | |
| | H13 | Tolerance |
| B_{L2} | 2,15 mm | |
| D_N | 59,4 mm | |
| A_{10} | 1,5 mm | Angle of sector opening |
| N_1 | 3,5 mm | |
| N_4 | 3 mm | |
| | 8 | Number of rows balls |

