

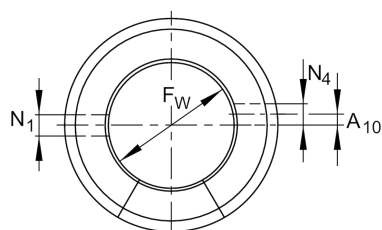
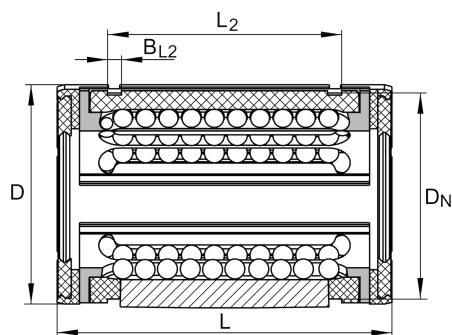
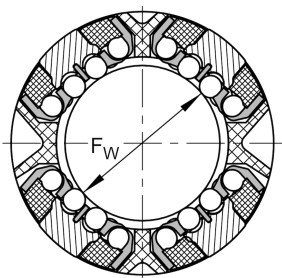
## KS50-PP

Linear ball bearing

Schaeffler ID:  
0067538170000

Linear ball bearings KS..-PP, heavy load range, lip seals on both sides

### Technical information



KS30, 40, 50  
KSO30, 40, 50

### Main Dimensions & Performance Data

$F_w$	50 mm	Bore diameter of ball complement
D	75 mm	Outside diameter
L	100 mm	length
$C_{min}$	12.300 N	load capacity dyn.
$C_{0min}$	9.700 N	load capacity stat.
$C_{max}$	15.100 N	load capacity dyn.
$C_{0max}$	13.900 N	load capacity stat.
	0,606 kg	Weight

### Mounting dimensions

$L_2$	77,3 mm	
	H13	Tolerance
$B_{L2}$	2,65 mm	
$D_N$	71,4 mm	
$A_{10}$	2,5 mm	Angle of sector opening
$N_1$	4,5 mm	
$N_4$	5 mm	
	8	Number of rows balls

