

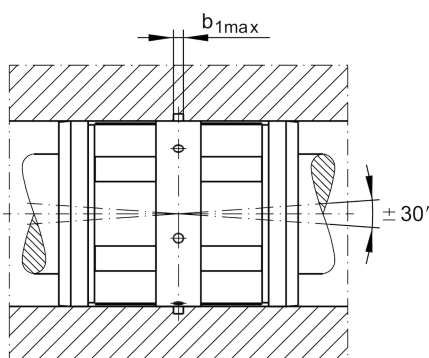
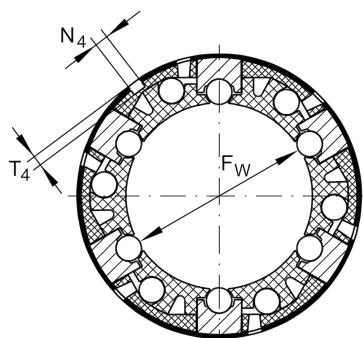
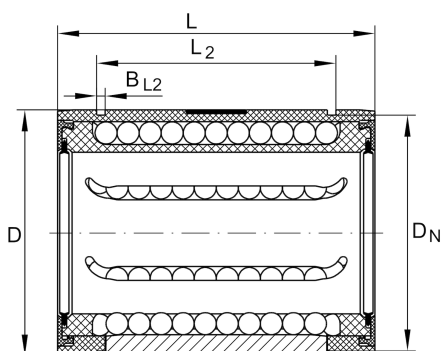
KN25-B

Linear ball bearing

Schaeffler ID:
0296806700000

Linear ball bearings KN...-B, Lightweight range, closed design, with relubrication facility, adjustable angle

Technical information



Main Dimensions & Performance Data

F_w	25 mm	Bore diameter of ball complement
D	40 mm	Outside diameter
L	58 mm	length
C_{min}	3.100 N	load capacity dyn.
C_{0min}	2.220 N	load capacity stat.
C_{max}	3.250 N	load capacity dyn.
C_{0max}	2.850 N	load capacity stat.
	0,135 kg	Weight

Mounting dimensions

L_2	43,7 mm	
	H13	Tolerance
B_{L2}	1,85 mm	
D_N	38,5 mm	
T_4	1,4 mm	
N_4	3 mm	
b_{1max}	2,5 mm	
	6	Number of rows balls